


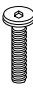



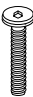
ITEM: 2806

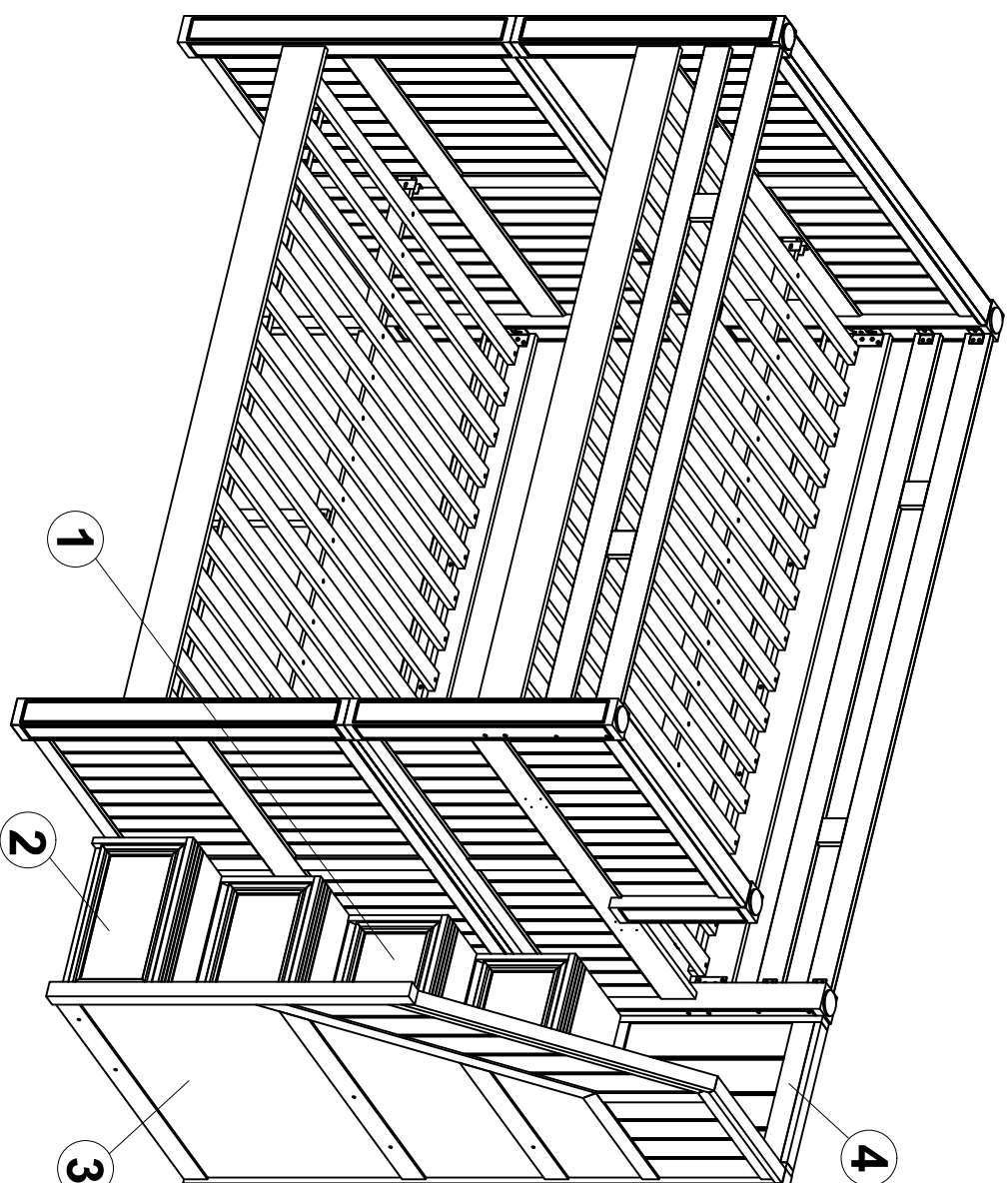
STEP DRAWER

Part List:

Item	Description	Qty
1	Top Step Drawer	1 pc
2	Bottom Step Drawer	1 pc
3	Side Panel	1 pc
4	Back Panel	1 pc

Hardware List:

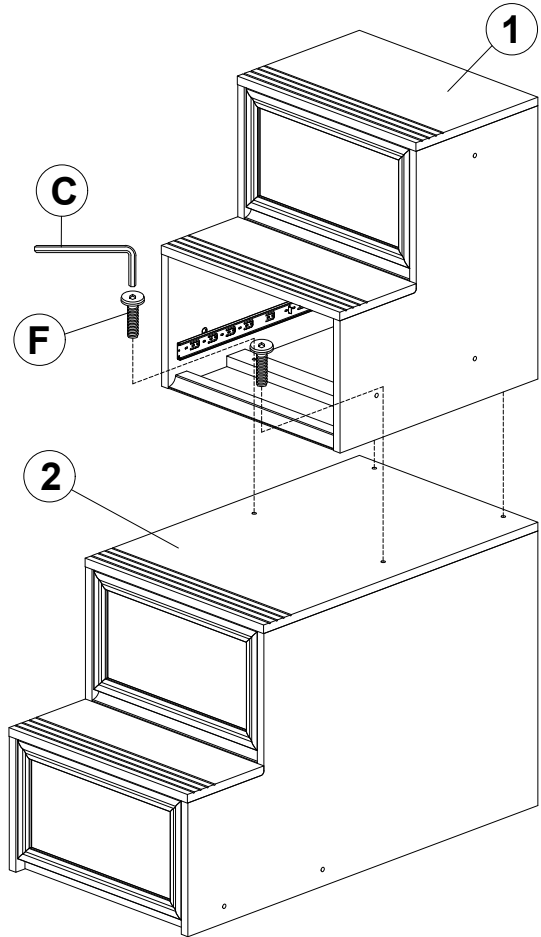
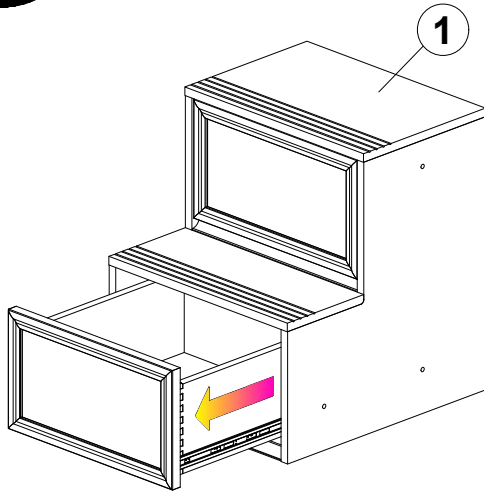
Item	Description	Qty
A	JCBC M6 x 55 	2 pcs
B	JCBC M6 x 30 	5 pcs
C	Allen key M4 	2 pcs
D	CSK screw M4 x 25 	8 pcs
E	Bracket 	4 pcs
F	JCBC M6 x 40 	6 pcs



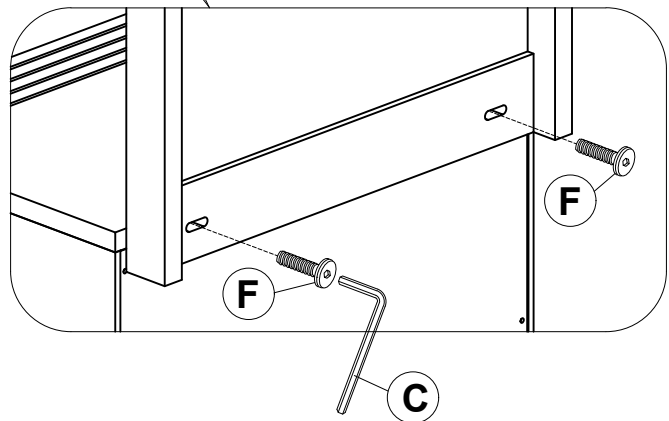
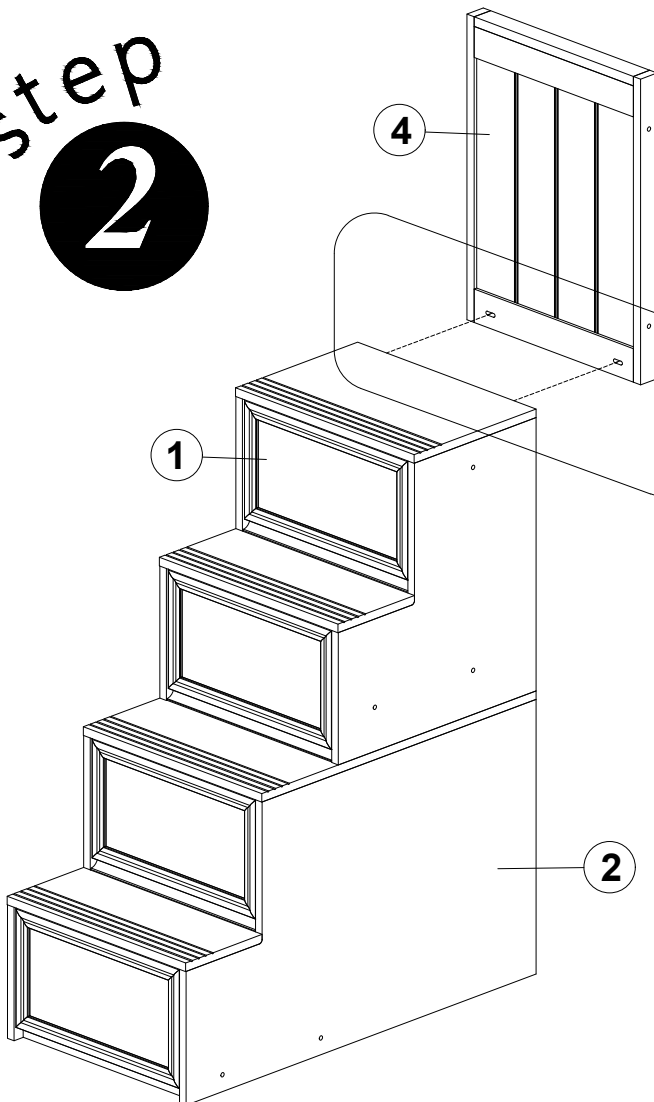
ITEM: 2806 STEP DRAWER

DO NOT TIGHTEN SCREWS
BEFORE ALL PARTS ARE FULLY ASSEMBLED !!

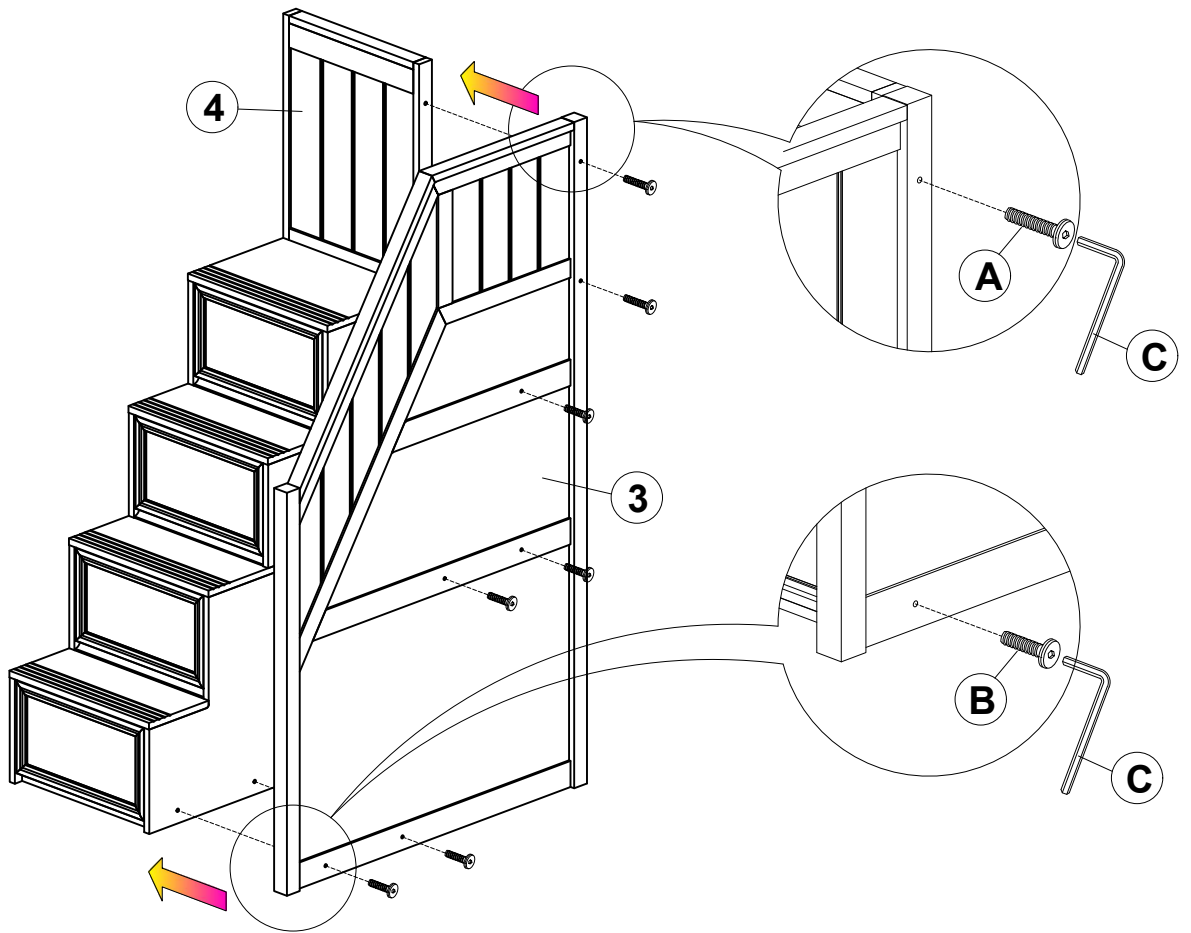
step
1



step
2



step
3



step
4

