

Assembly Instruction

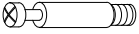



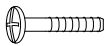



TWIN COMBO TRUNDLE HEADBOARD

1922-XL

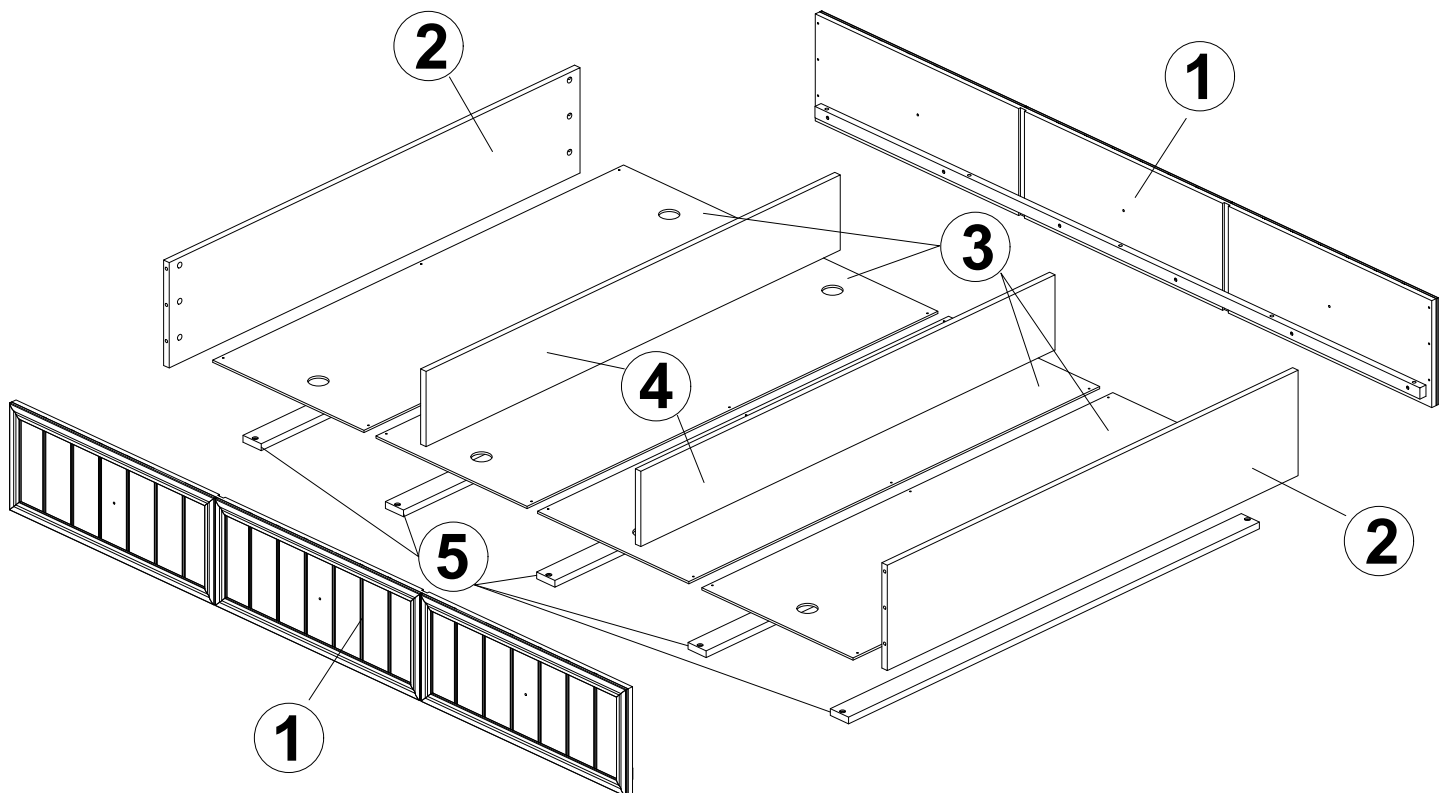
Part List:

Item	Description	Qty
1	Front Panel	2 pcs
2	Side Panel	2 pcs
3	Base Board	4 pcs
4	Divider	2 pcs
5	Slats	5 pcs

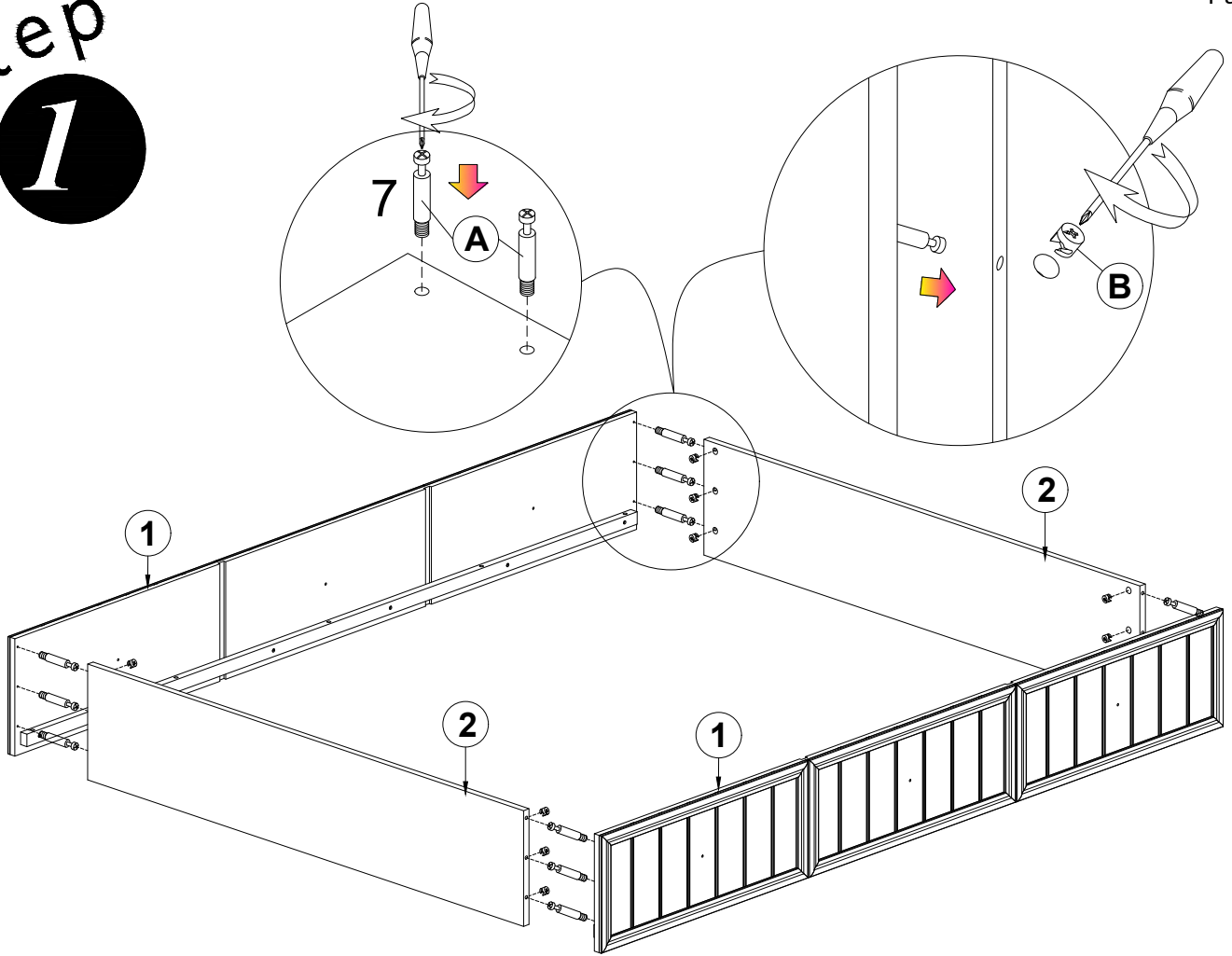
Hardware List:

Item	Description	Qty
A	Fitting Bolt 	12 pcs
B	Nut 	12 pcs
C	CSK screw M4 x 15 	56 pcs
D	Drawer Knob 	6 pcs
E	PH 5/32 x 28 	6 pcs
F	Castor 	8 pcs
G	Allen key M4 	1 pc
H	JCBC M6 x 40 	10 pcs

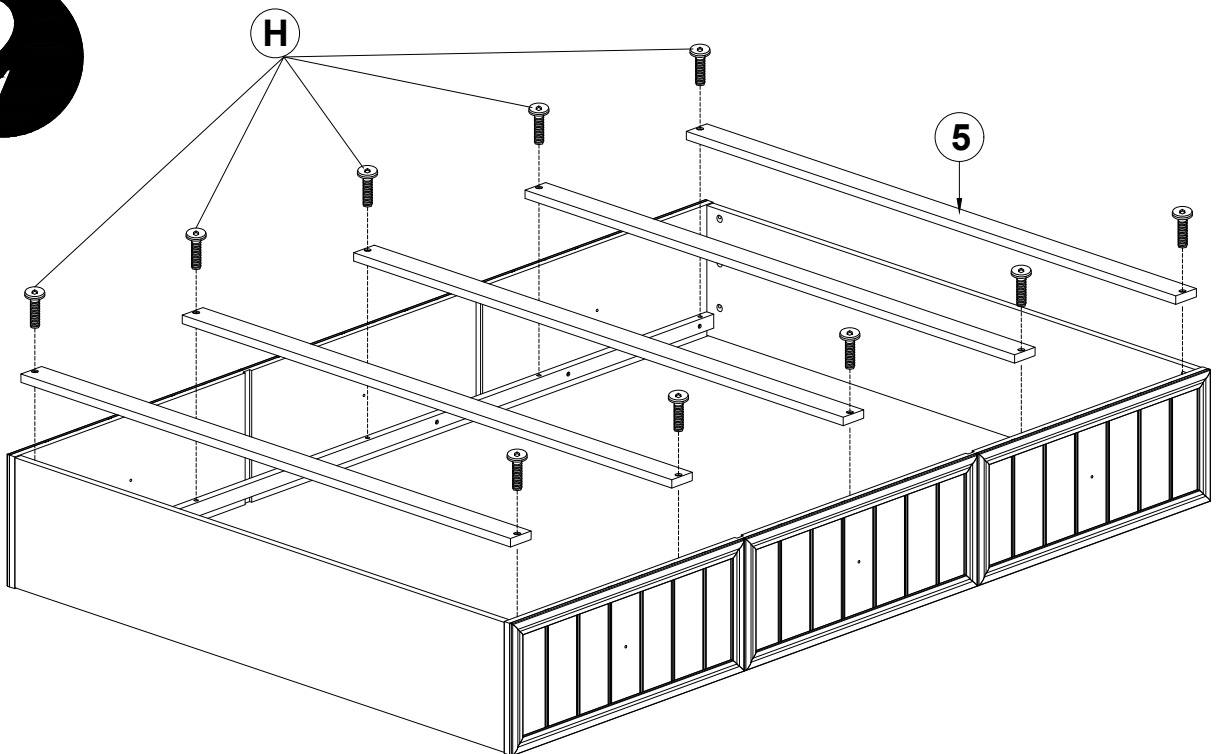
DO NOT TIGHTEN SCREWS
BEFORE ALL PARTS ARE FULLY ASSEMBLED !!



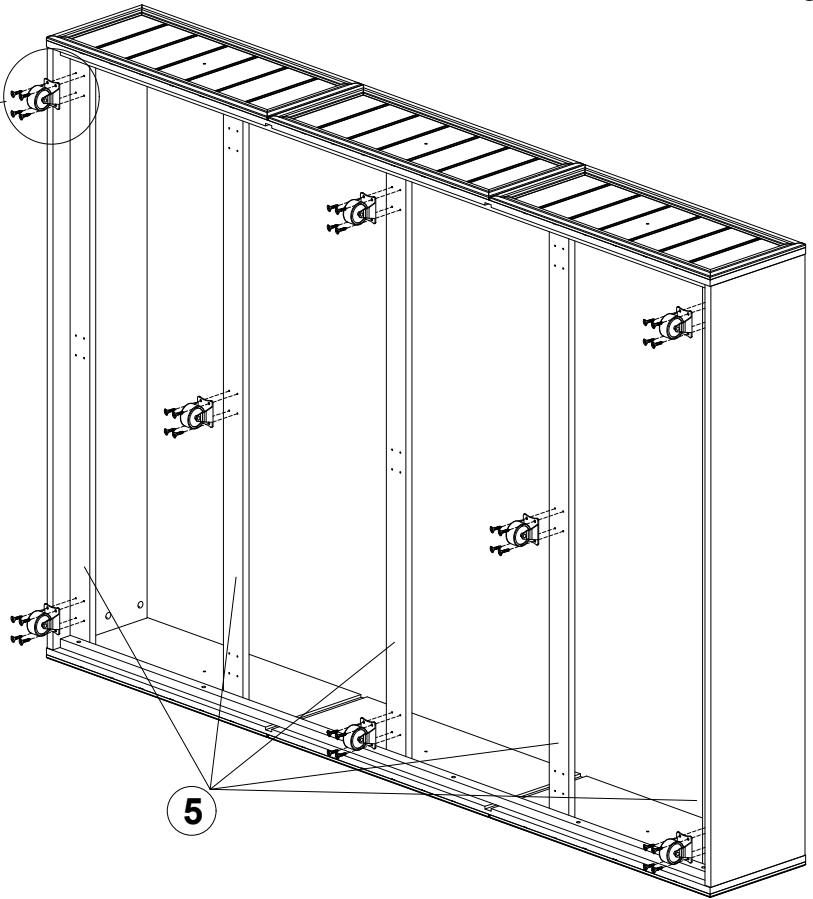
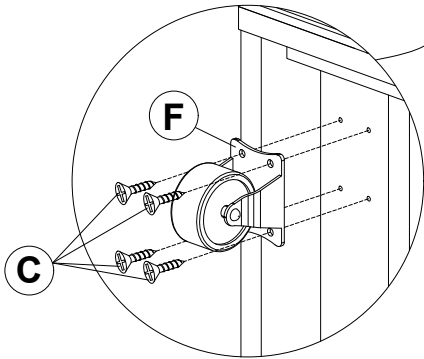
step 1



step 2

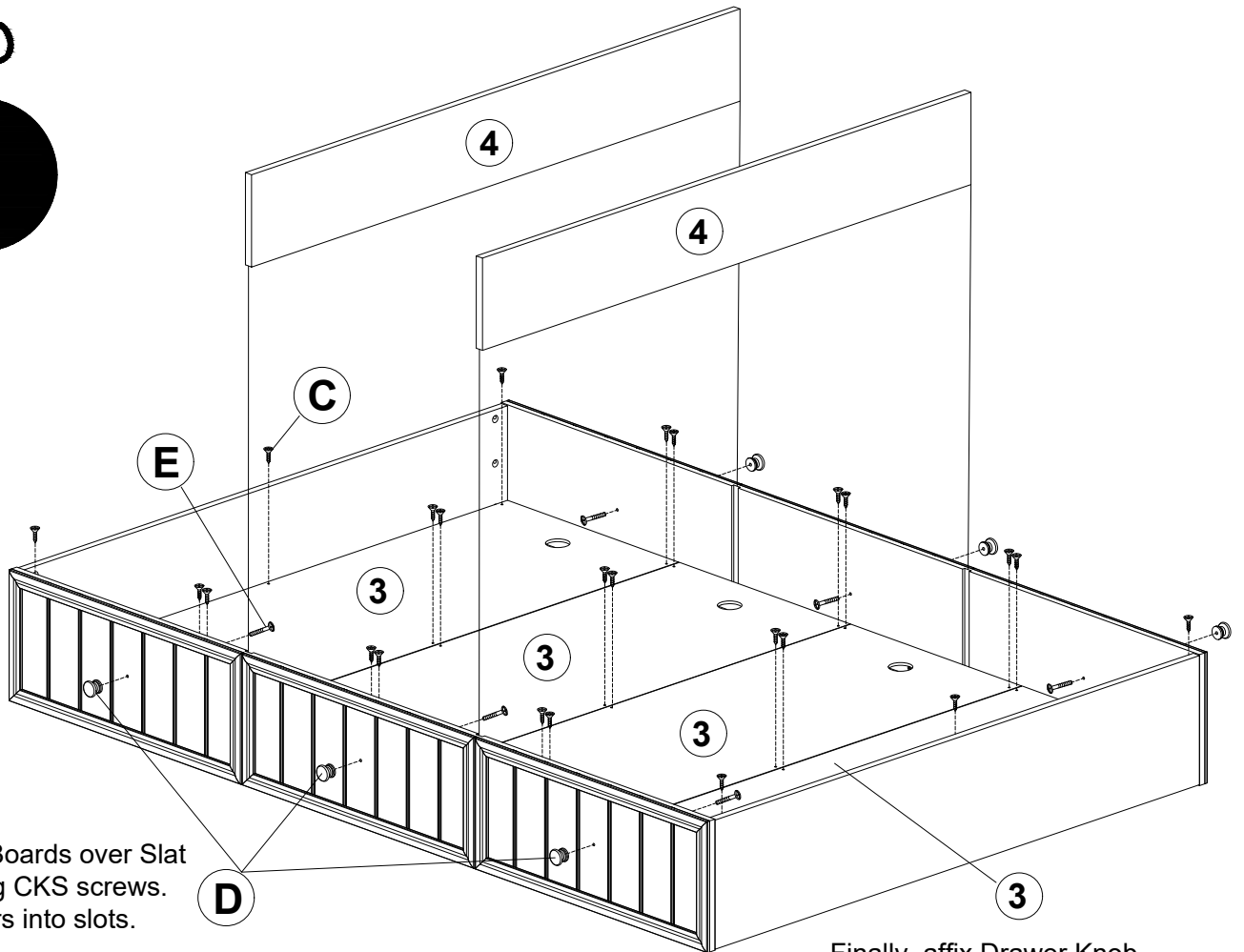


step 3



Turn over trundle.
Use CKS screw to affix Castor
onto bottom of Slat 1, 3 & 5

step 4



Place Base Boards over Slat
Tighten using CKS screws.
Place Dividers into slots.

Finally, affix Drawer Knob
with PH screw.