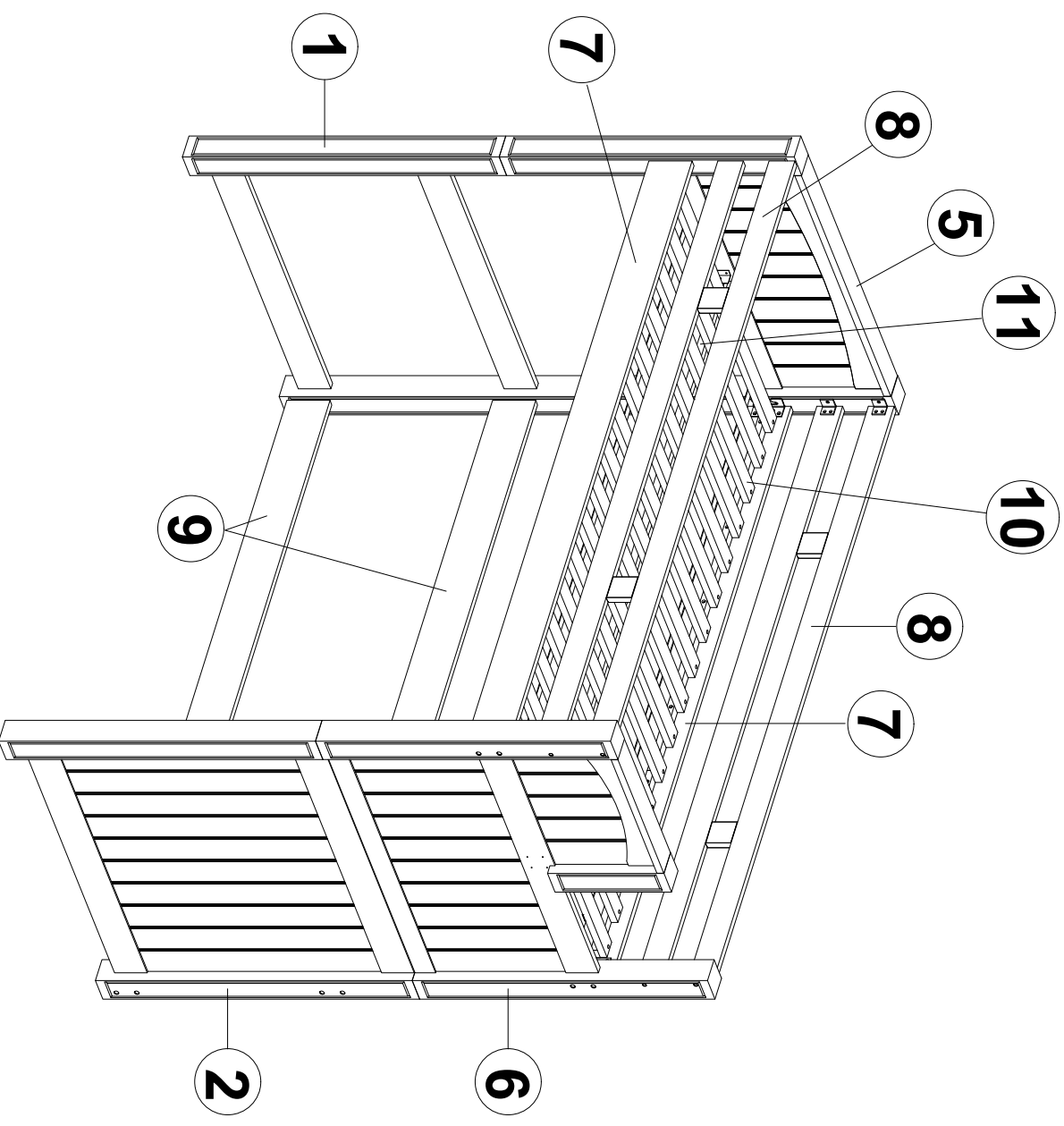


0990

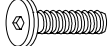


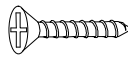


TWIN PANEL LOFT BED

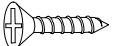
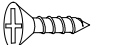
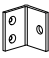

Part List:

Item	Description	Qty
1	Left Under HeadBoard	1 pc
2	Right Under HeadBoard	1 pc
5	Left Upper HeadBoard	1 pc
6	Right Upper HeadBoard	1 pc
7	Side Rails	2 pcs
8	Guard Rails	2 pcs
9	Lower Back Rails	2 pcs
10	Slat Roll	1 set
11	Center Support	1 pc



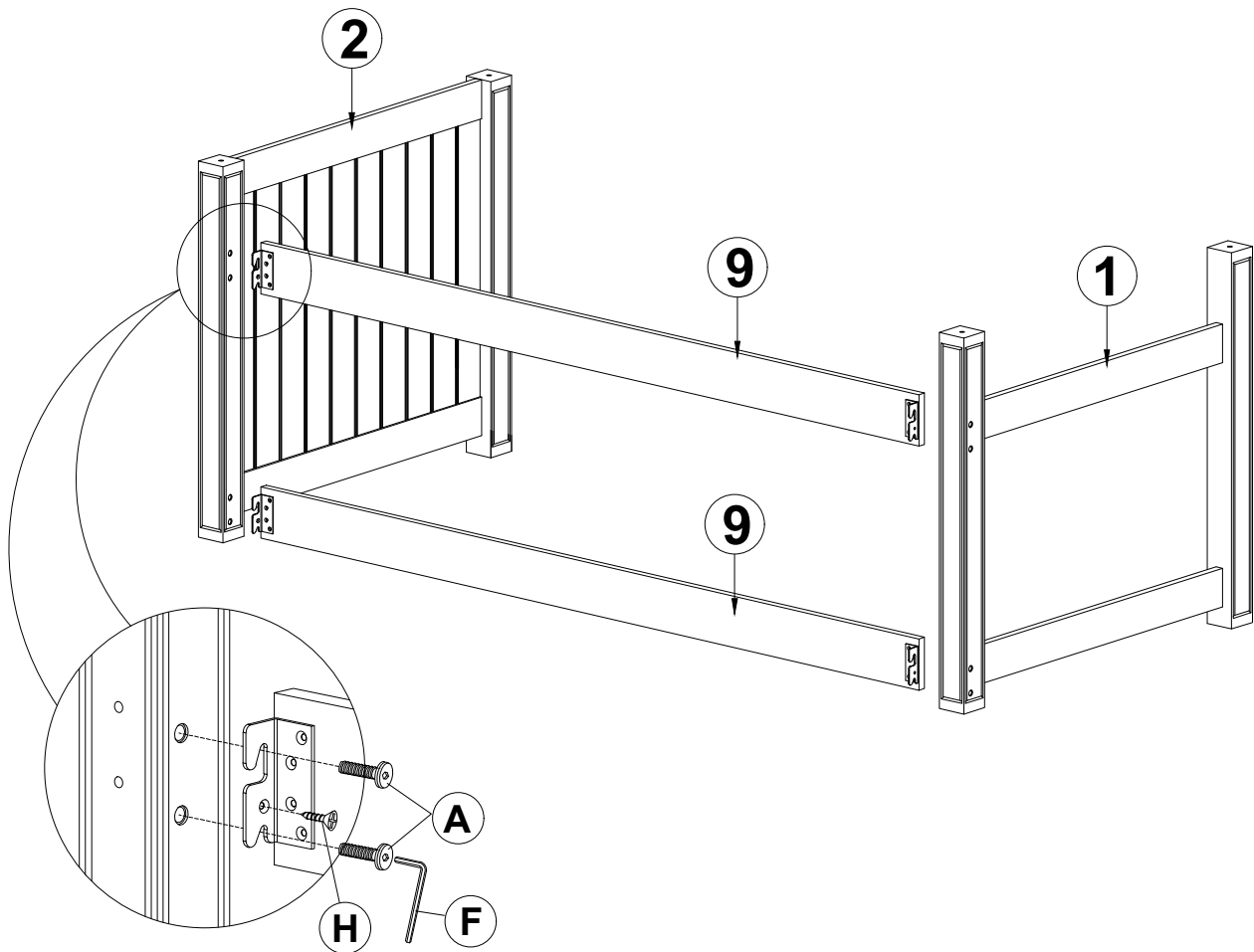
Hardware List:

Item	Description	Qty
A	JCBB M8 x 25 	16 pcs
B	JCBC M6 x 30 	8 pcs
C	Allen key M4 	1 pc
D	CSK screw M4 x 30 	48 pcs
E	Metal Pin 	4 pcs
F	Allen key M5 	1 pc

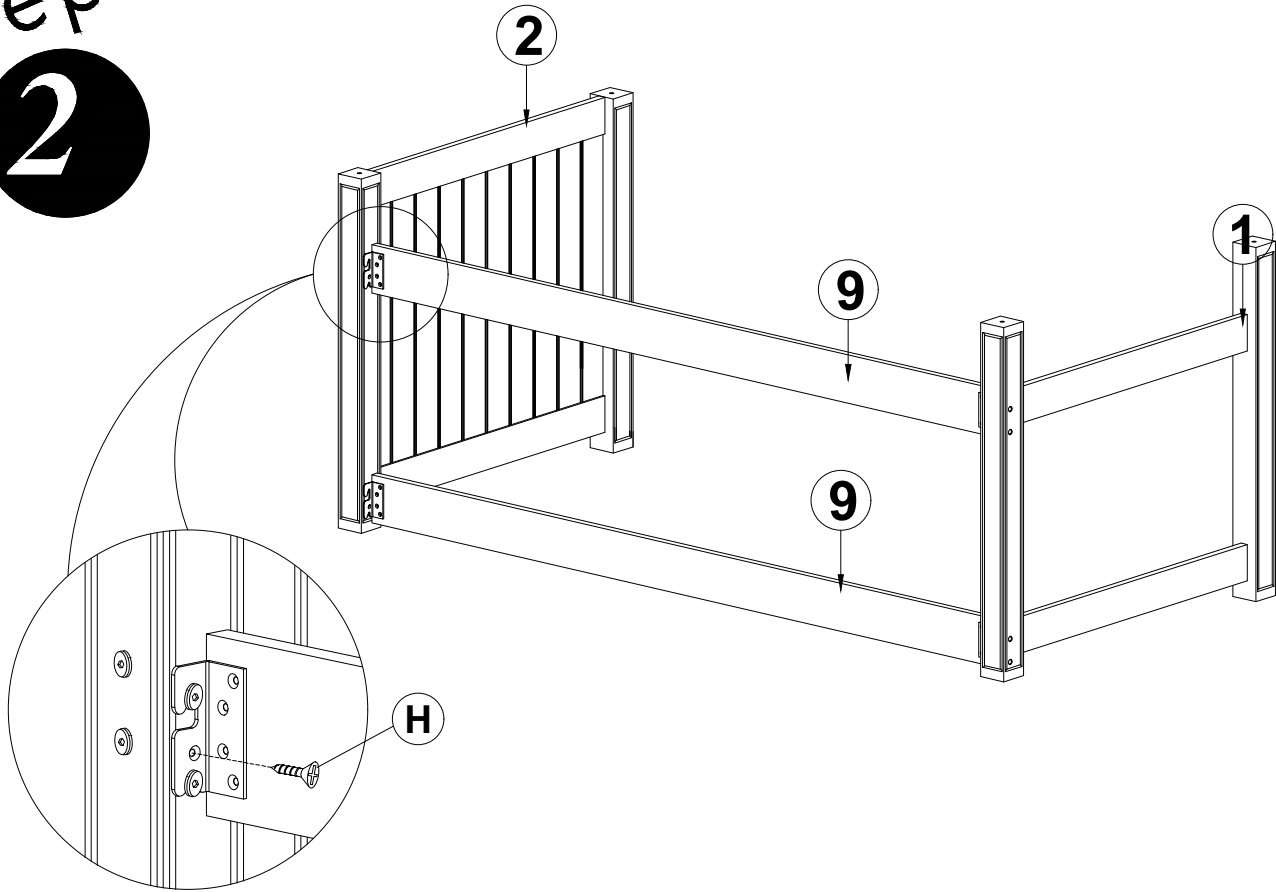
Item	Description	Qty
H	CSK screw M4 x 20 	24 pcs
I	CSK screw M4 x 15 	8 pcs
J	"L" Bracket 	8 pcs
K	"U" Bracket 	2 pcs

step
1

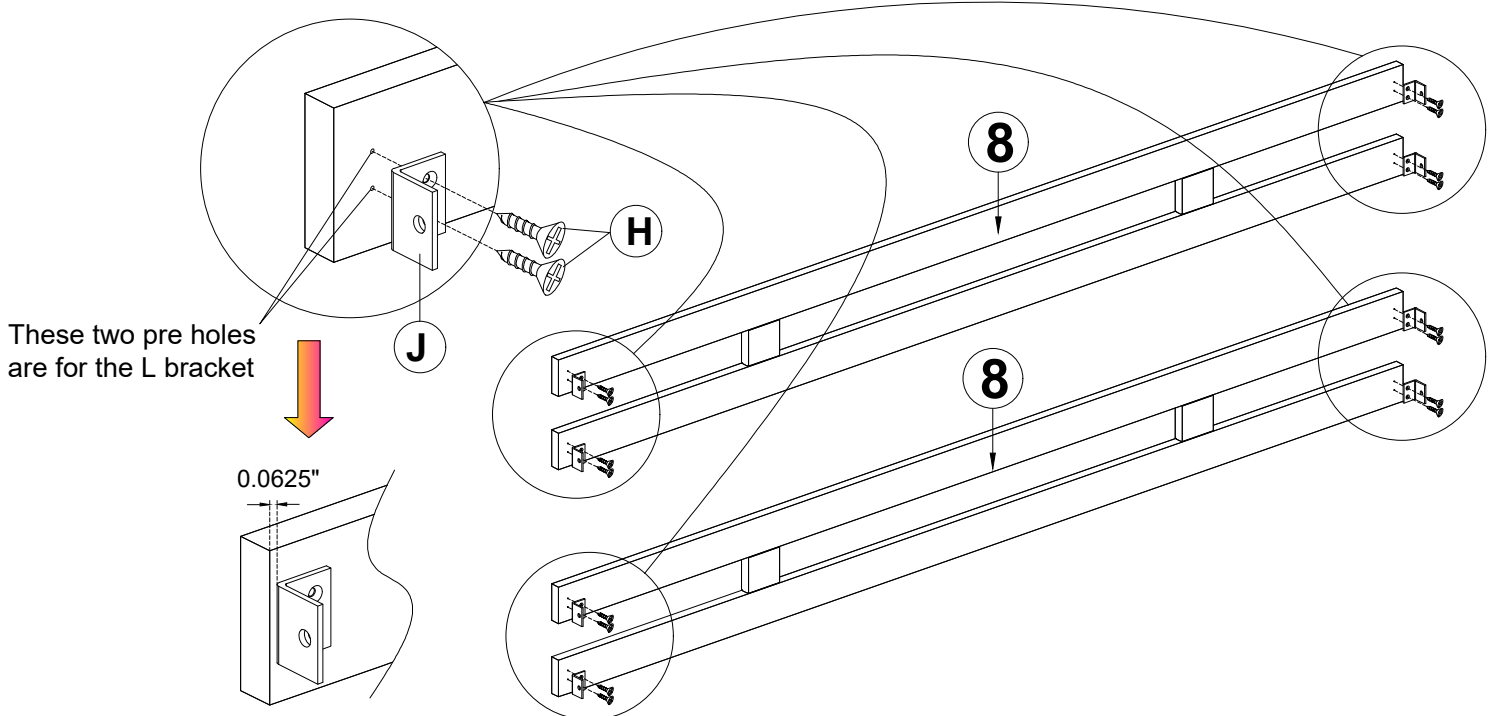
DO NOT TIGHTEN SCREWS
BEFORE ALL PARTS ARE FULLY ASSEMBLED !!



step 2



step 3

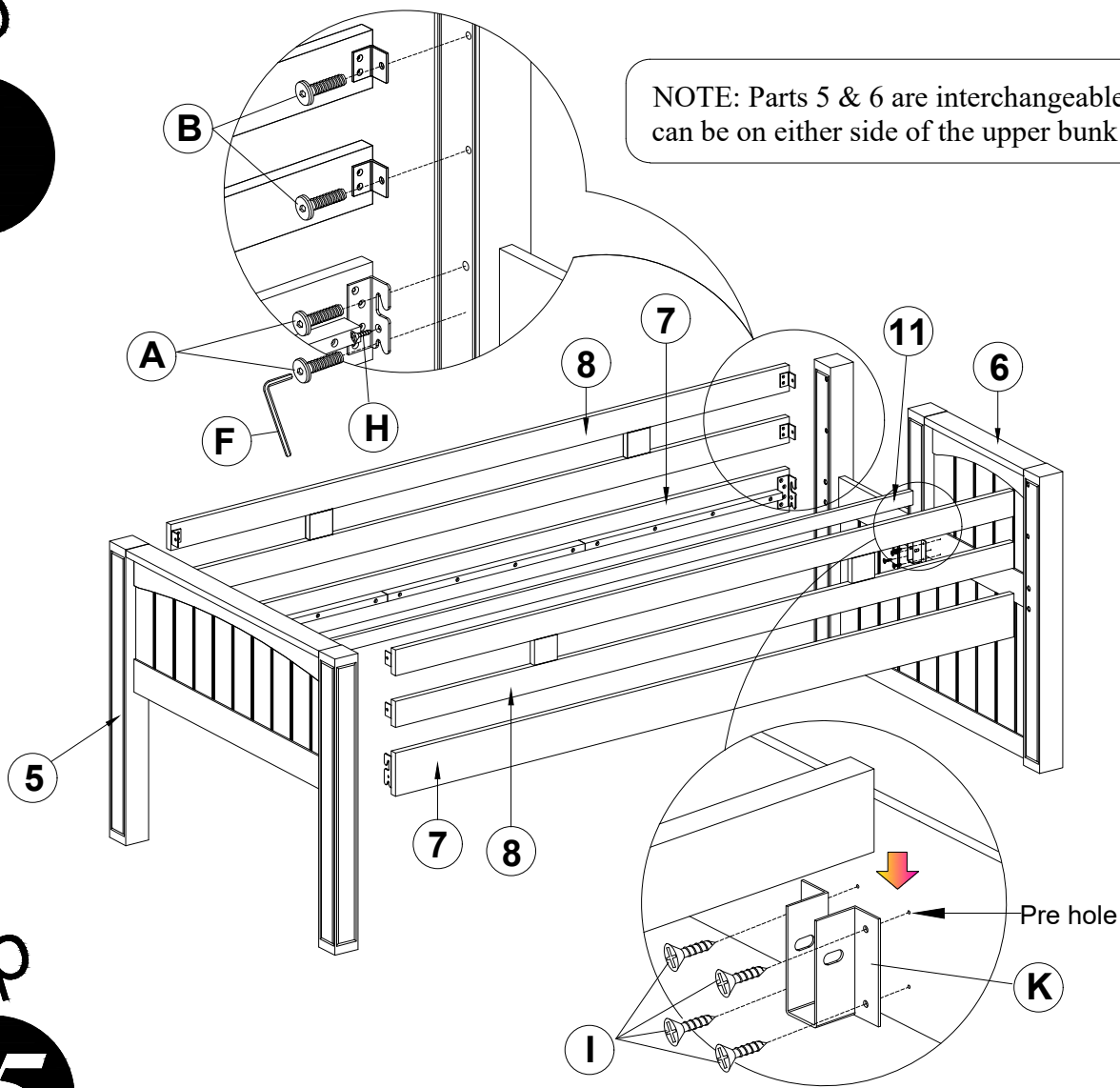


These two pre holes are for the L bracket

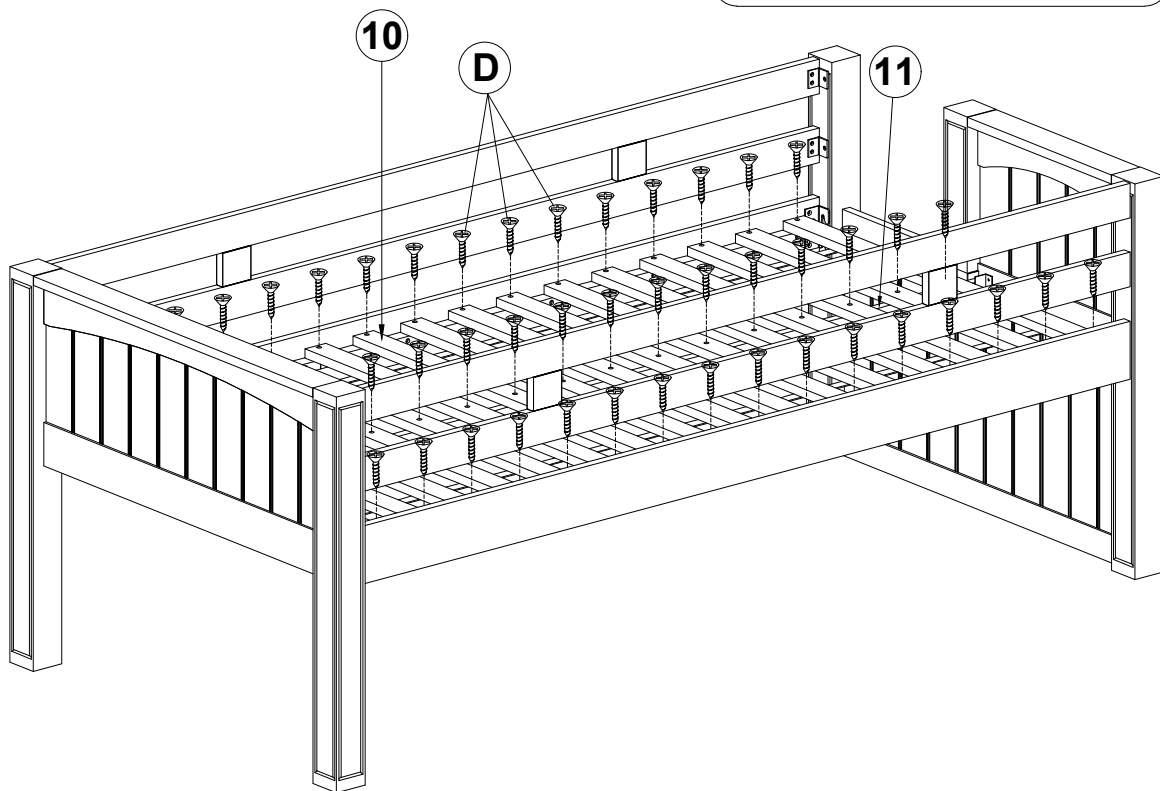
0.0625"

The right position of bracket is slightly inside from end of Guard Rail

step 4



step 5



step
6

