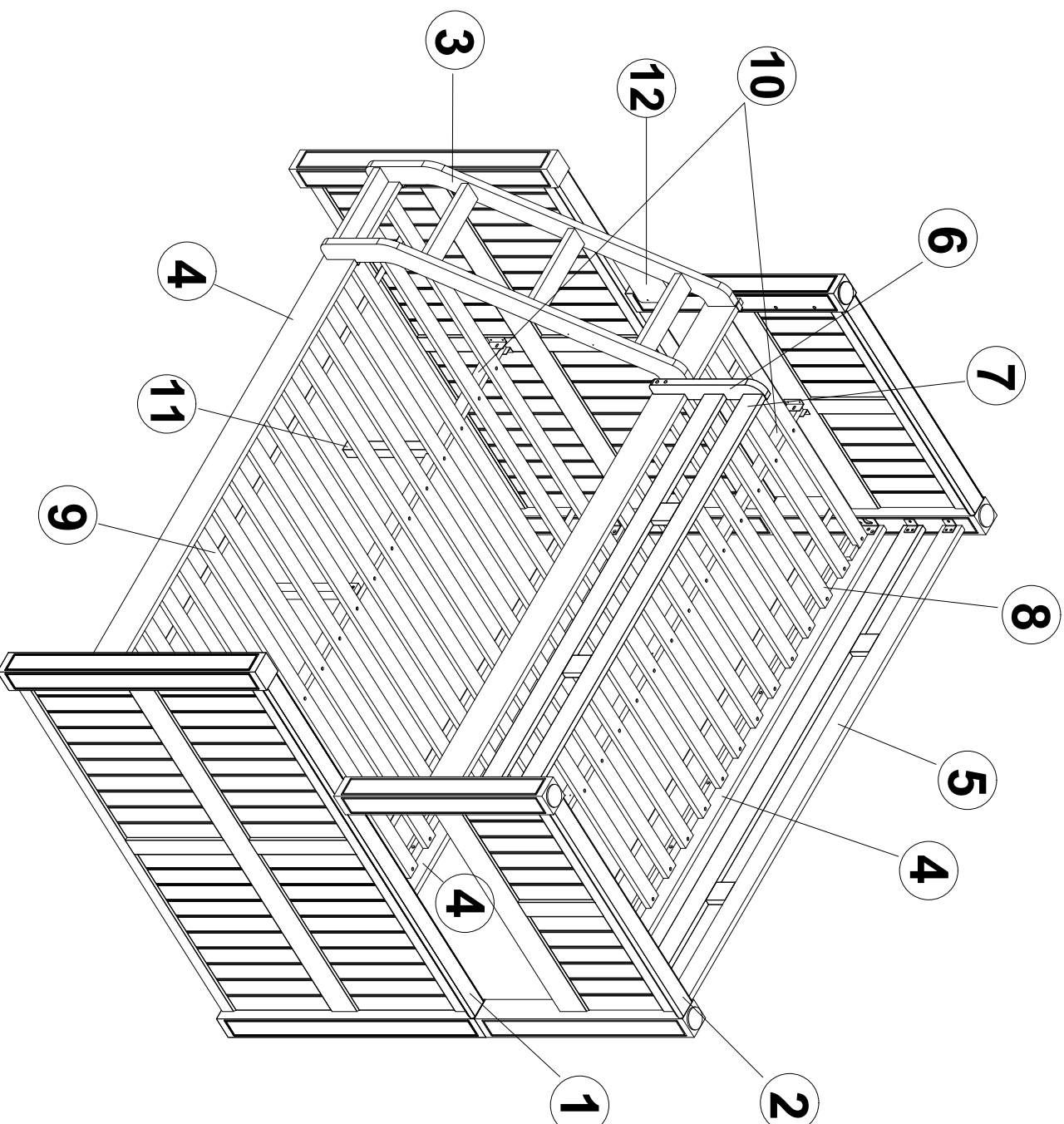


# 0171

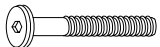


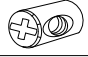
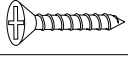
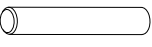
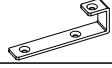
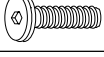

# TWIN/QUEEN BUNK

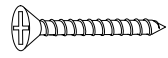
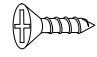

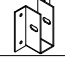

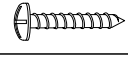

Part List:

Item	Description	Qty
1	Bottom HeadBoards	2 pcs
2	Upper HeadBoards	2 pcs
3	Ladder	1 pc
4	Side Panel	4 pcs
5	Long Guard Rail	1 pc
6	Guard Rail Support	1 pc
7	Short Guard Rail	1 pc
8	Upper Slat	1 set
9	Bottom Slat	1 set
10	Center Support	2 pcs
11	Leg Support	3 pcs
12	MDF Panel	1 pc



## Hardware List:

Item	Description	Qty
A	JCBC M6 x 60 	2 pcs
B	JCBC M6 x 30 	6 pcs
C	Allen key M4 	1 pc
D	Barrel Nuts 	2 pcs
E	CSK screw M4 x 30 	102 pcs
F	Metal Pin 	4 pcs
H	Ladder Hook 	4 pcs
I	JCBB M8 x 25 	16 pcs
J	Allen key M5 	1 pc

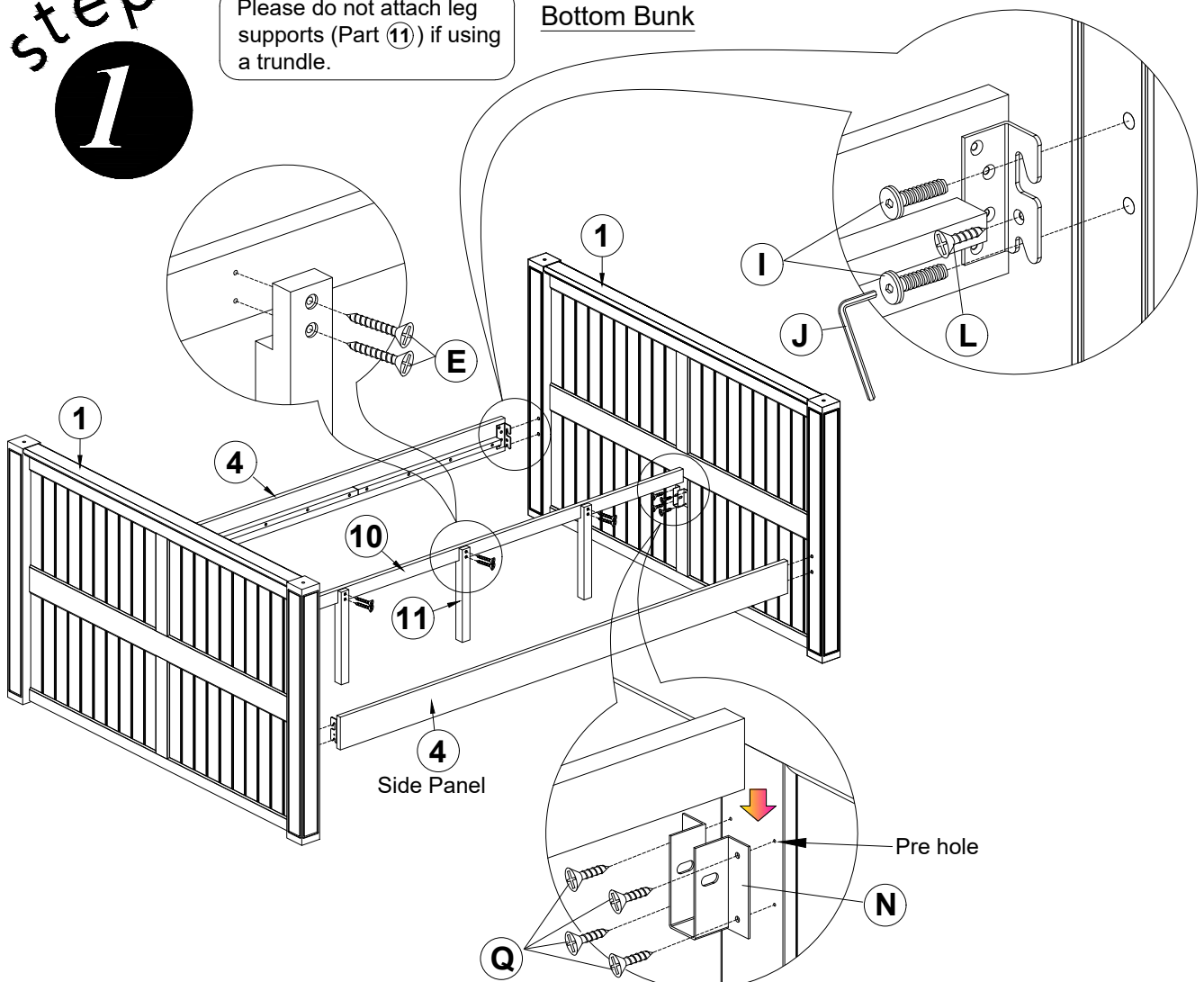
Item	Description	Qty
K	CSK screw M4 x 32 	2 pcs
L	CSK screw M4 x 20 	34 pcs
M	"L" Bracket 	6 pcs
N	"U" Bracket 	4 pcs
O	Wood Cap 	8 pcs
P	CSK screw M4 x 30 	4 pcs
Q	CSK screw M4 x 15 	16 pcs

**DO NOT** TIGHTEN SCREWS  
BEFORE ALL PARTS ARE FULLY ASSEMBLED !!

step  
**1**

Please do not attach leg supports (Part 11) if using a trundle.

Bottom Bunk

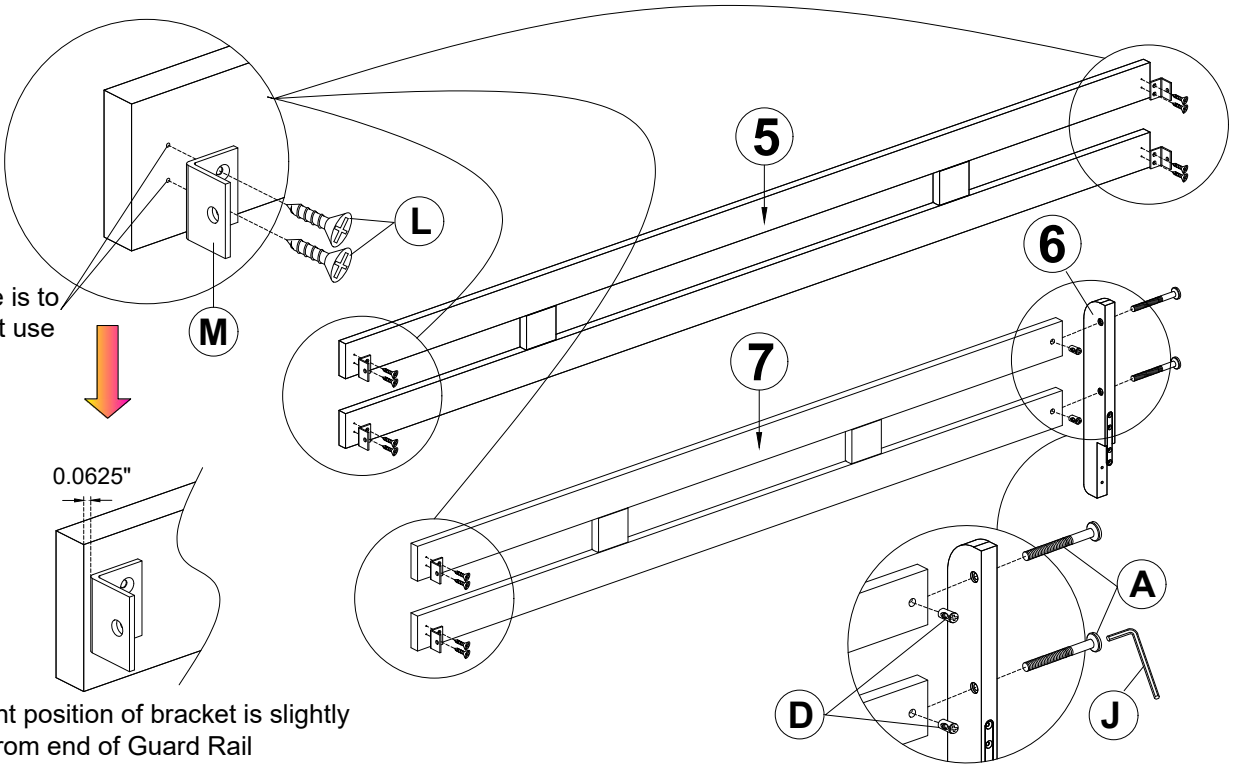


# step 2

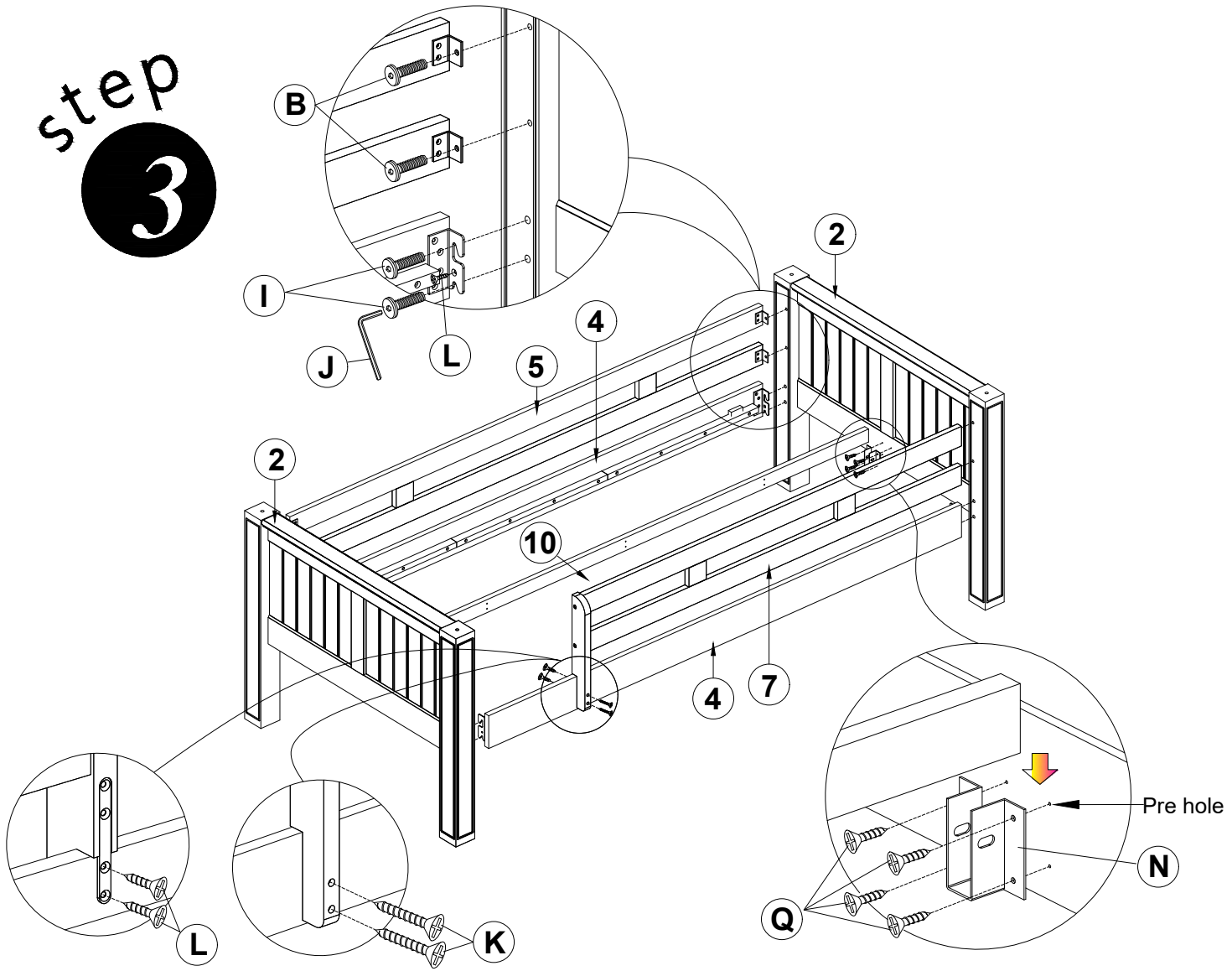
This two pre hole is to screw L Bracket use

0.0625"

The right position of bracket is slightly inside from end of Guard Rail

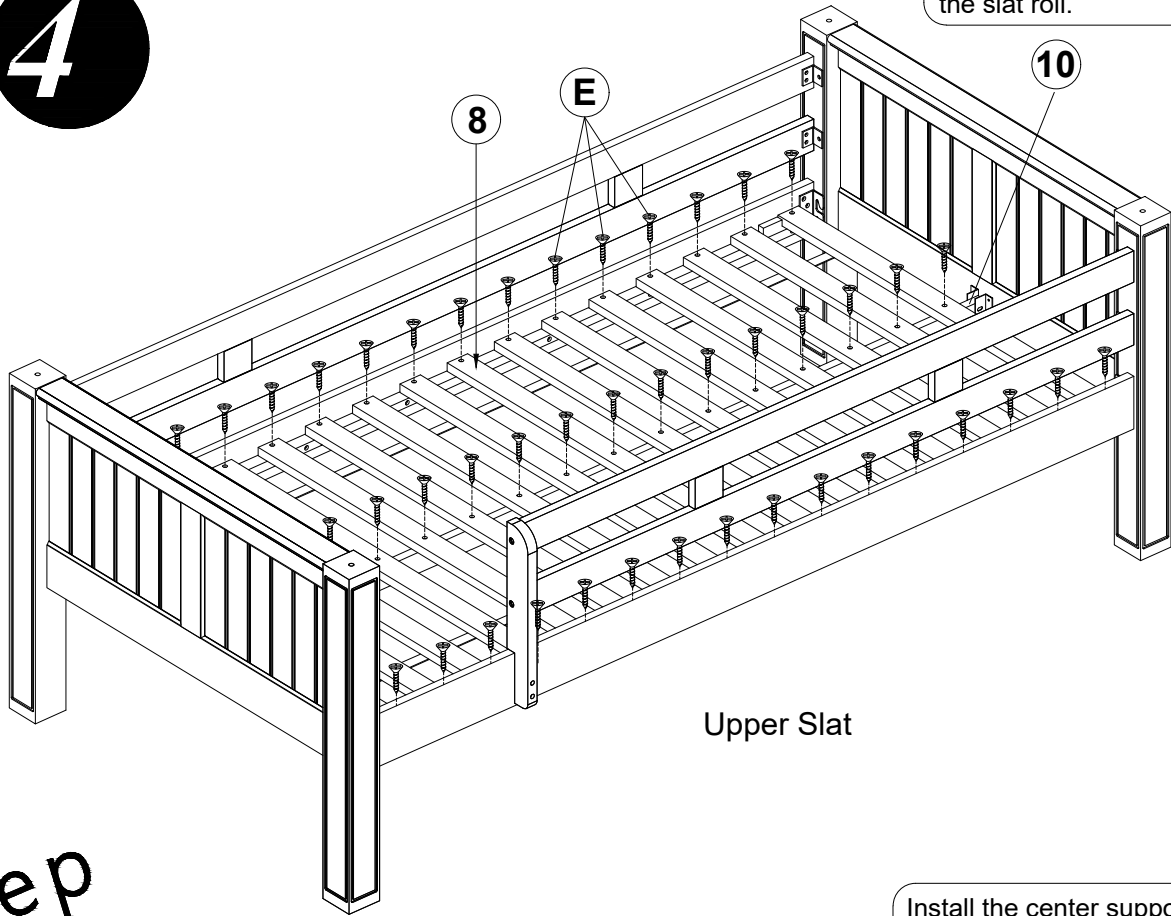


# step 3



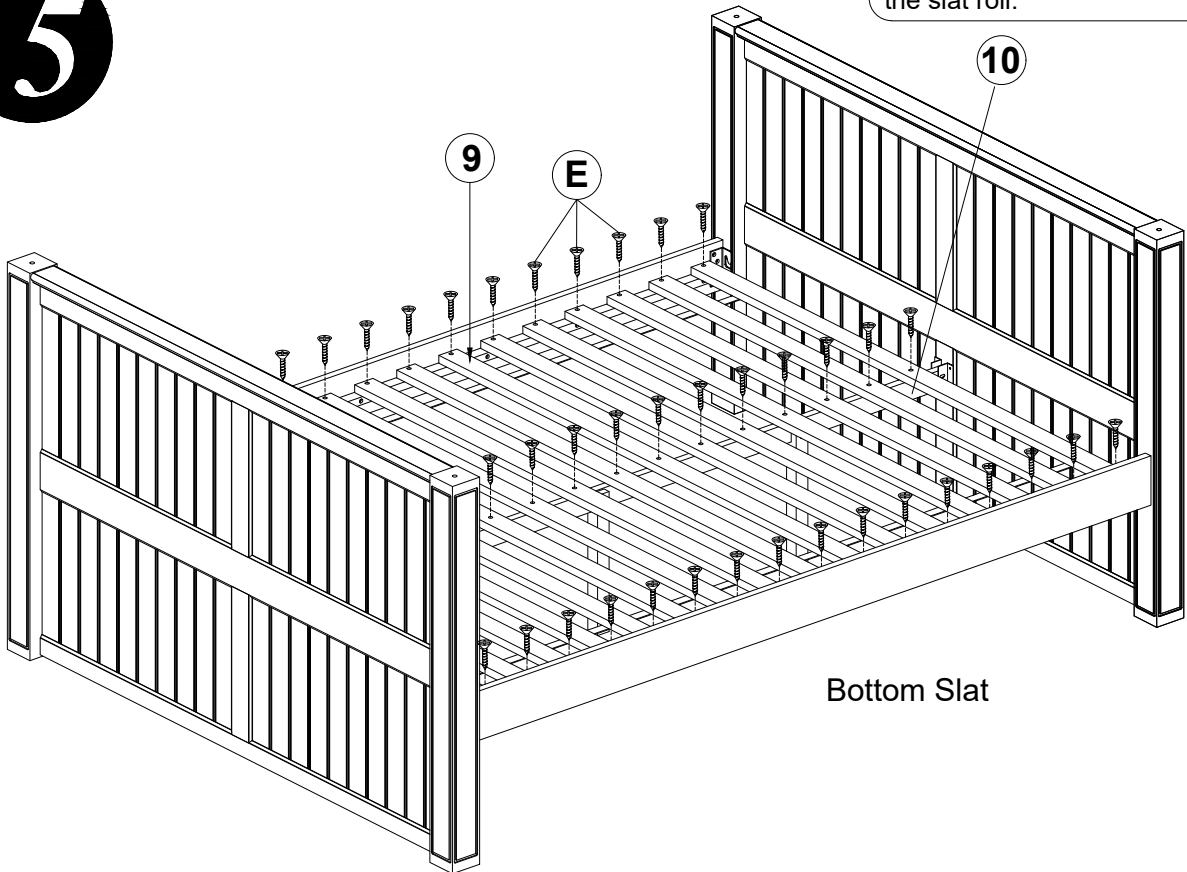
step  
**4**

Install the center support  
(Part **10**) first before screw  
the slat roll.

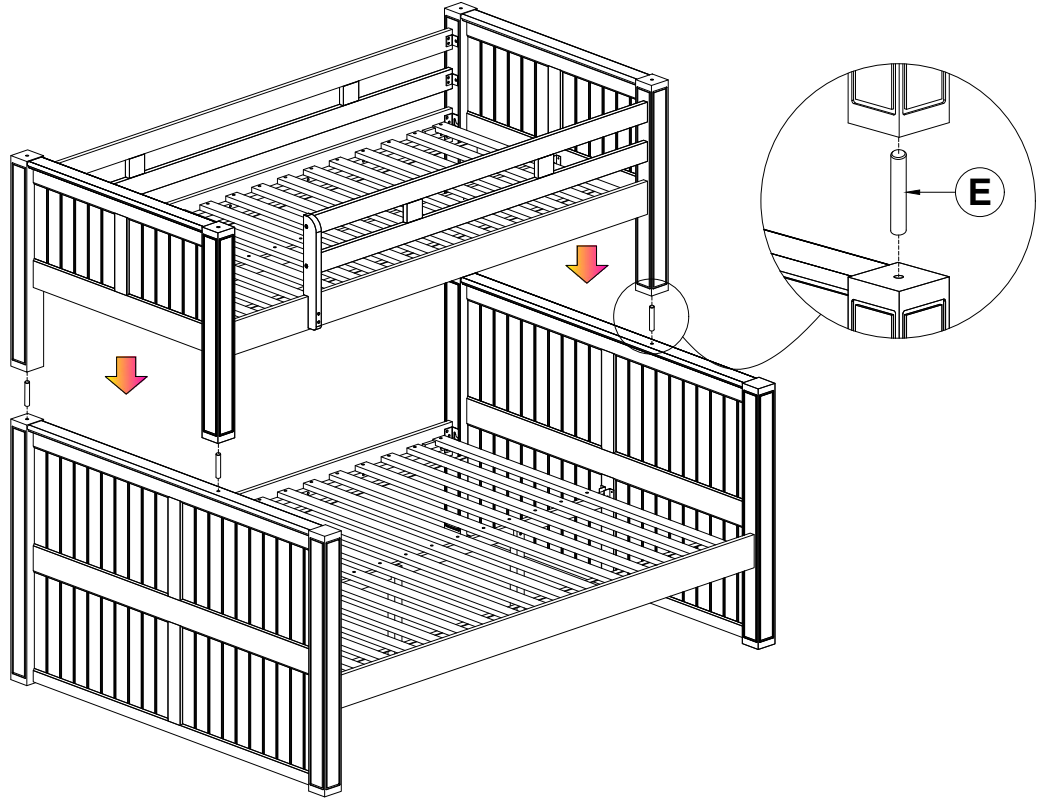


step  
**5**

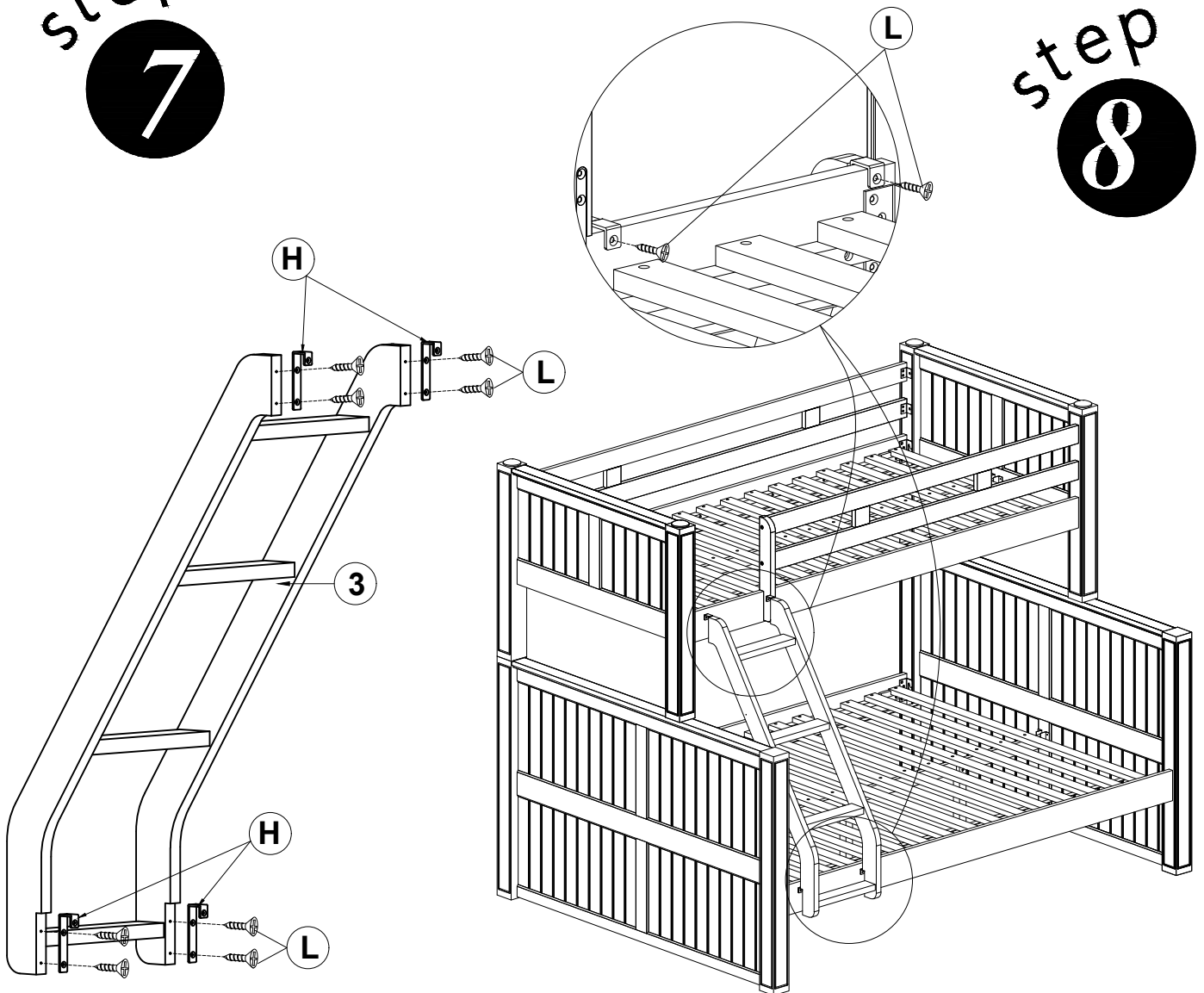
Install the center support  
(Part **10**) first before screw  
the slat roll.



step  
**6**

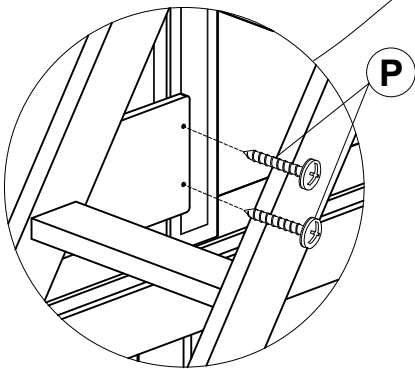
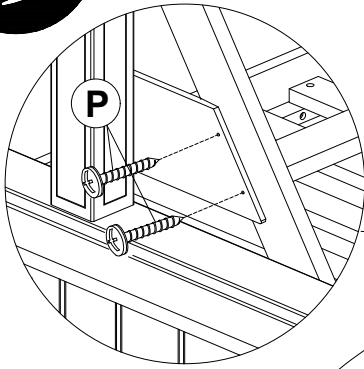


step  
**7**



step  
**8**

step  
**9**



12

