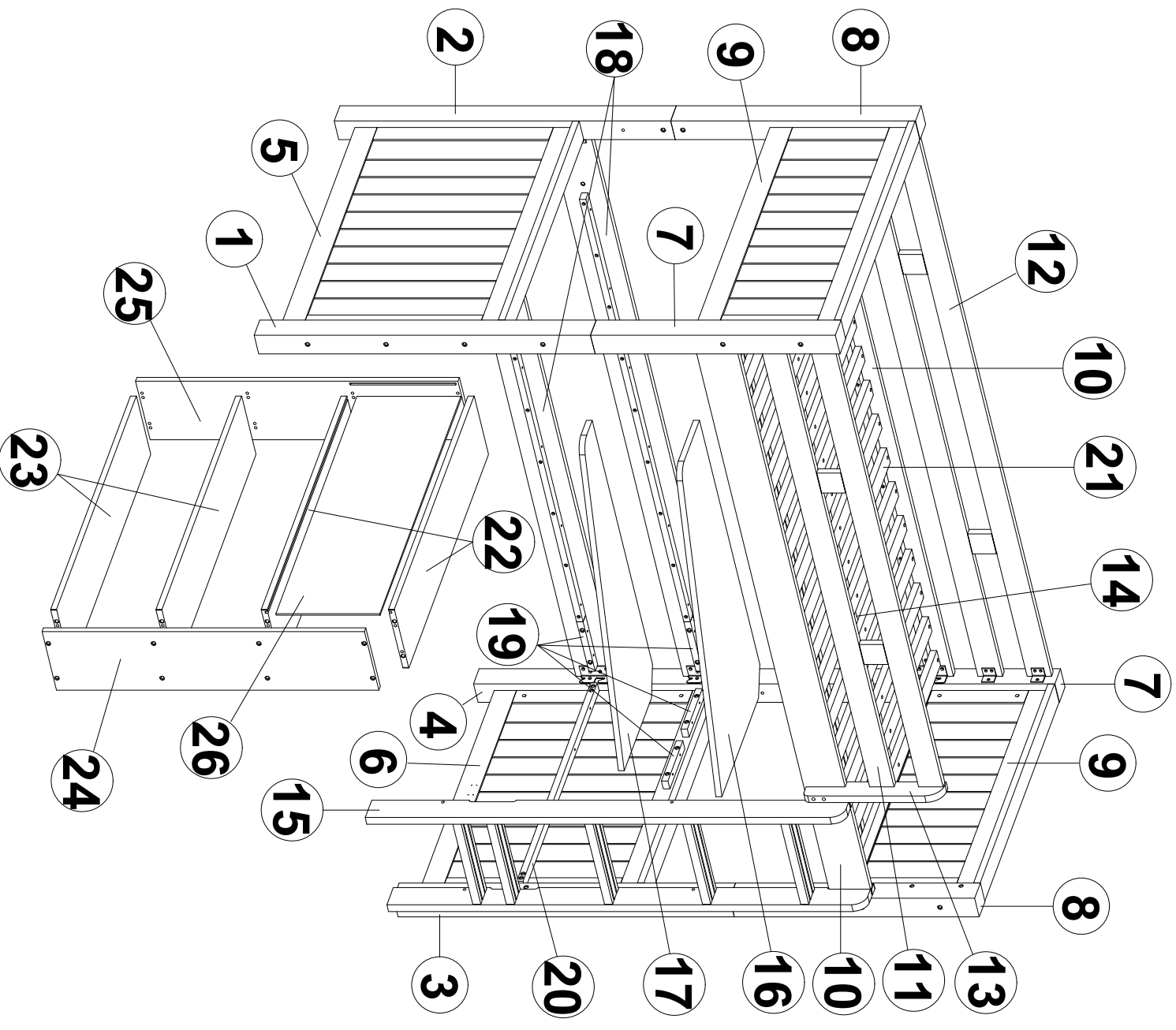


0166

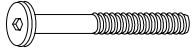
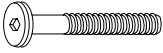
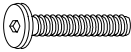
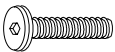
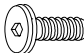
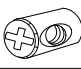
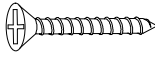
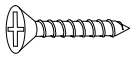
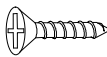
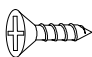
TWIN CONVERTIBLE LOFT BED BEADBOARD


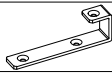

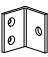

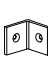



Part List:

Item	Description	Qty
1	Left, Leg Under Front HeadBoards	1 pc
2	Left, Leg Under Back HeadBoard	1 pc
3	Right, Leg Under Front HeadBoard	1 pc
4	Right, Leg Under Back HeadBoard	1 pc
5	Left, Side Panel Under	1 pc
6	Right, Side Panel Under	1 pc
7	Left Front, Right Back Leg Upper HeadBoards	2 pcs
8	Left Back, Right Front Leg Upper HeadBoards	2 pcs
9	Left, Right Side Panel Upper	2 pcs
10	Side Rails Upper	2 pcs
11	Short Guard Rail	1 pc
12	Long Guard Rail	1 pc
13	Guard Rail Support	1 pc
14	Center Support	2 pcs
15	Ladder	1 pc
16	Desk - Upper	1 pc
17	Desk - Under	1 pc
18	Side Rails Under	2 pcs
19	Small Cross desk	4 pcs
20	Big Cross desk	1 pc
21	Upper Slat	1 set
22	Shelf Upper	2 pcs
23	Shelf Under	2 pcs
24	Left Side Frame	1 pc
25	Right Side Frame	1 pc
26	Back Panel	1 pc



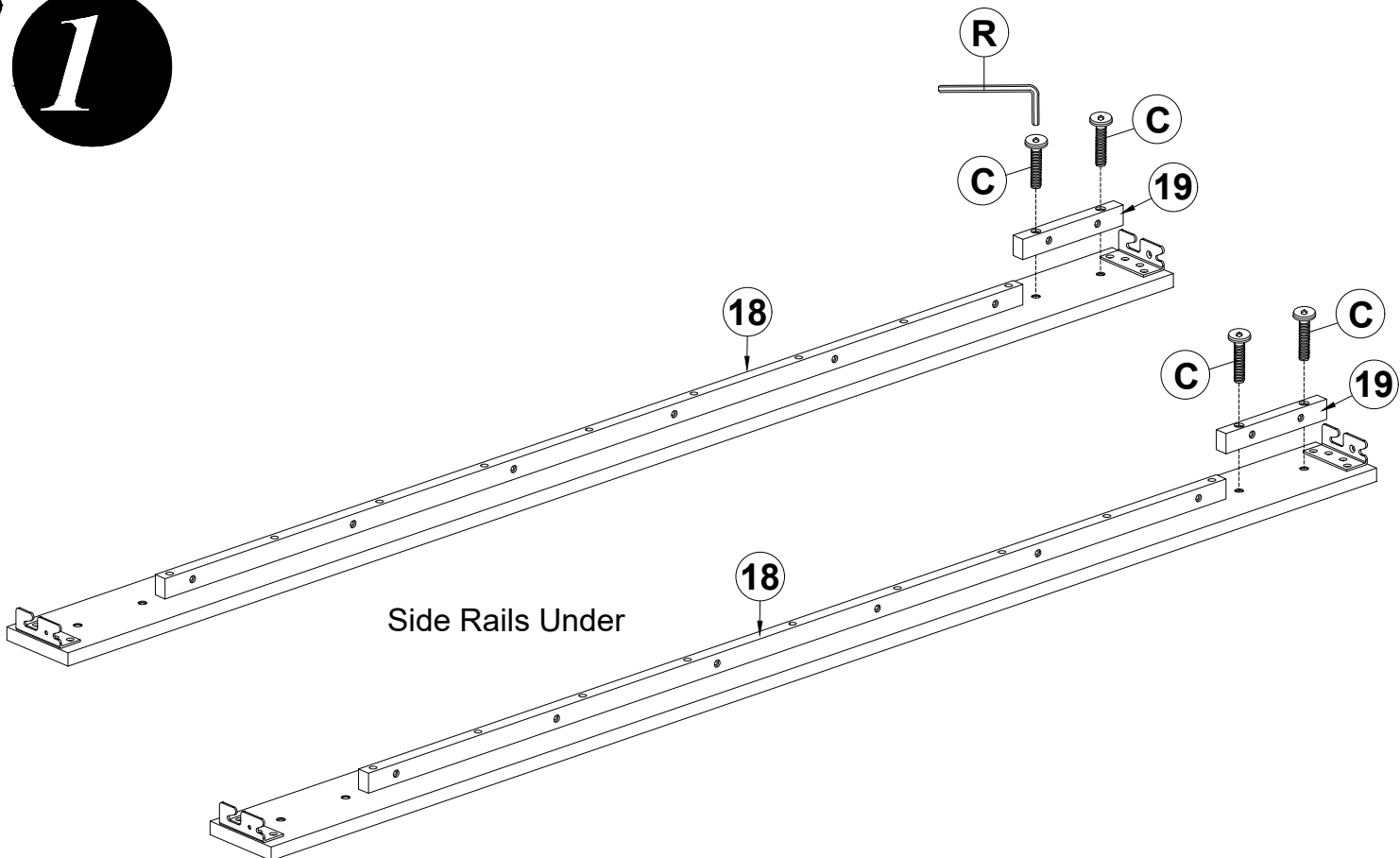
Hardware List:

Item	Description	Qty
A	JCBC M6 x 110 	16 pcs
B	JCBC M6 x 60 	2 pcs
C	JCBC M6 x 40 	22 pcs
D	JCBC M6 x 30 	16 pcs
E	JCBB M8 x 25 	16 pcs
F	Barrel Nuts 	18 pcs
G	CSK screw M4 x 32 	2 pcs
H	CSK screw M4 x 30 	64 pcs
I	CSK screw M4 x 20 	20 pcs
J	CSK screw M4 x 15 	34 pcs

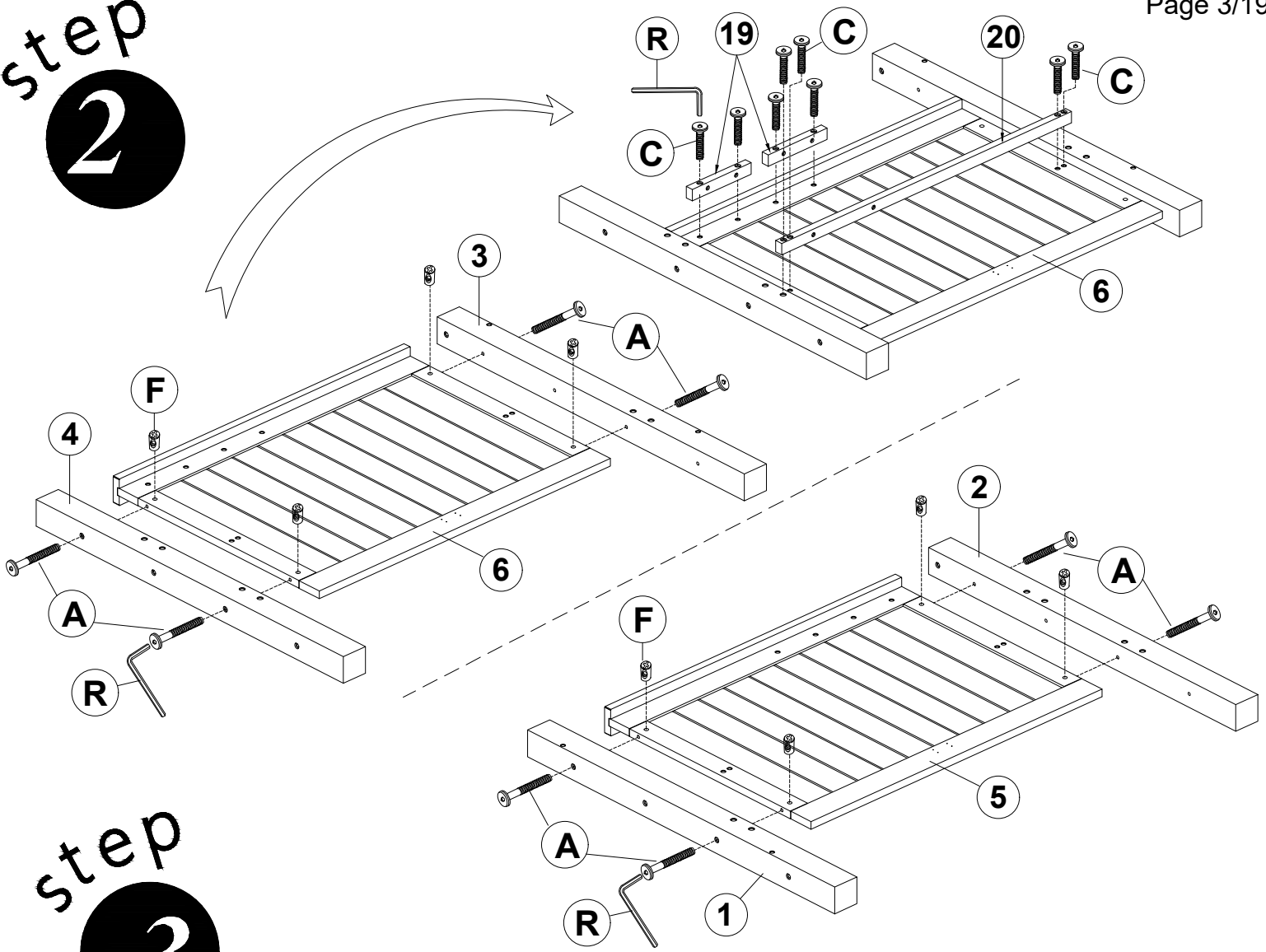
Item	Description	Qty
K	Wood Dowels D8 x 30 	16 pcs
L	Ladder Hook 	4 pcs
M	Metal Pin 	4 pcs
N	"L" Bracket 	6 pcs
O	"U" Bracket 	4 pcs
P	"L" Bracket 	2 pcs
Q	Wood Cap 	4 pcs
R	Allen key M4 	1 pc
S	Allen key M5 	1 pc

DO NOT TIGHTEN SCREWS
BEFORE ALL PARTS ARE FULLY ASSEMBLED !!

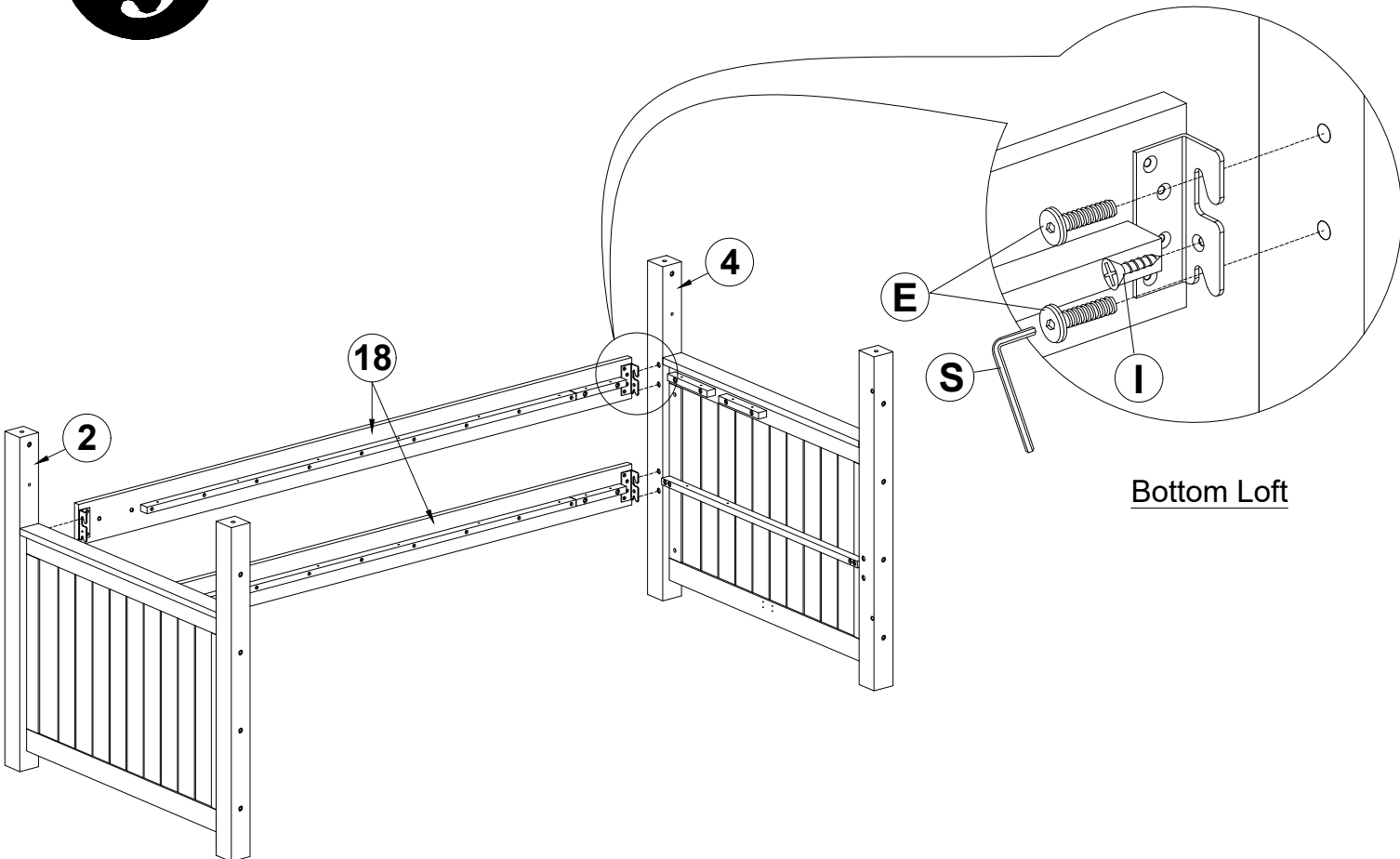
step
1



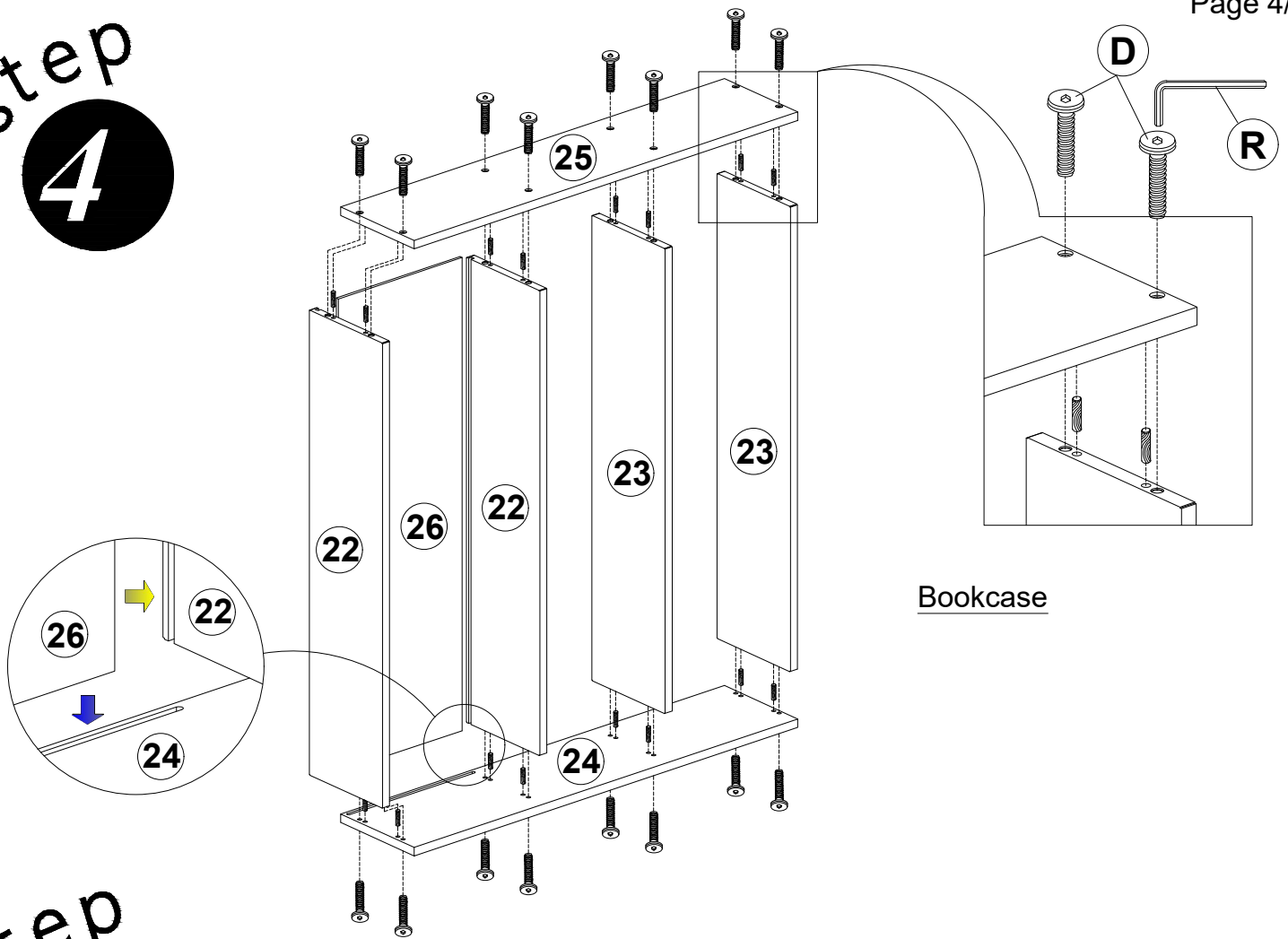
step 2



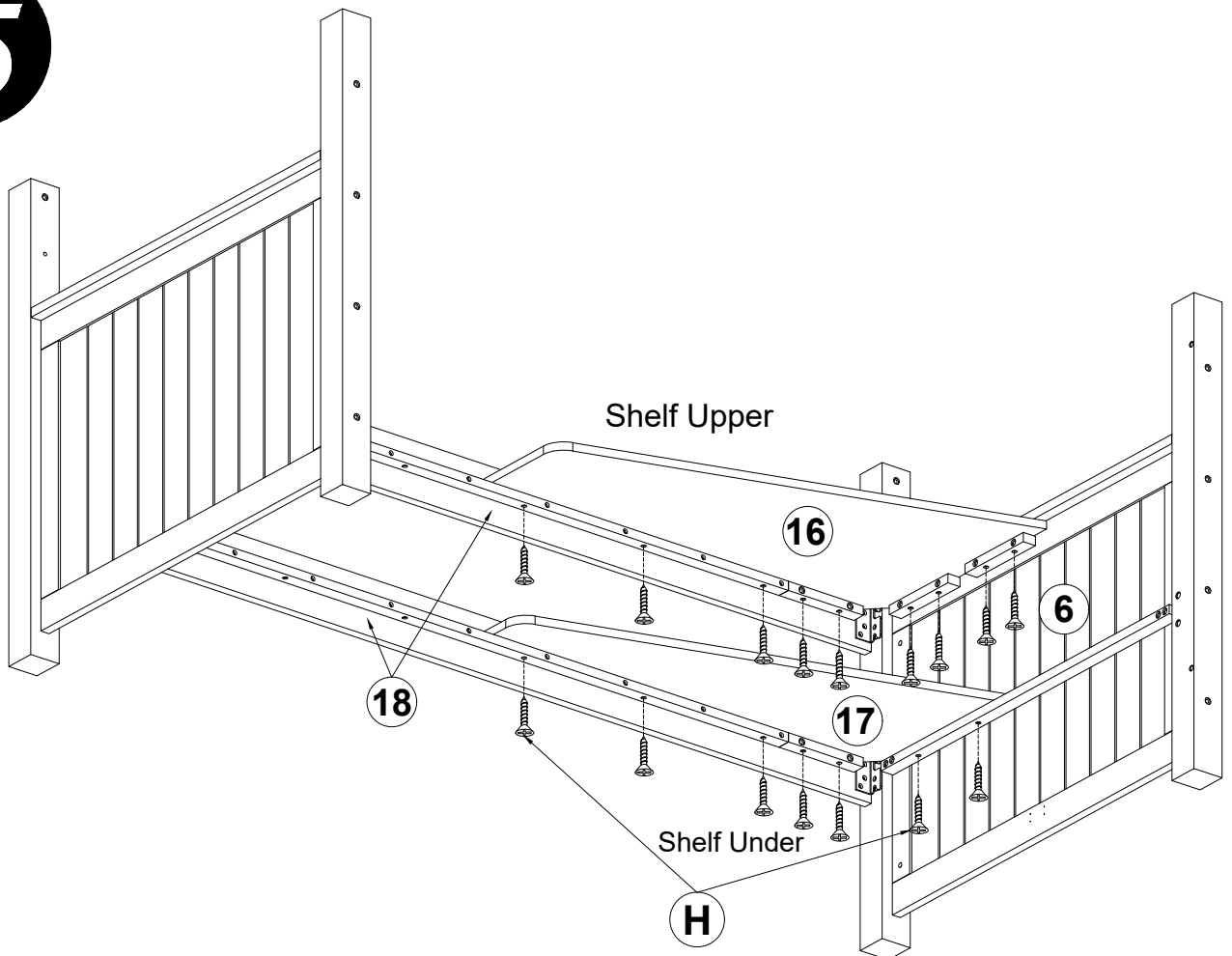
step 3



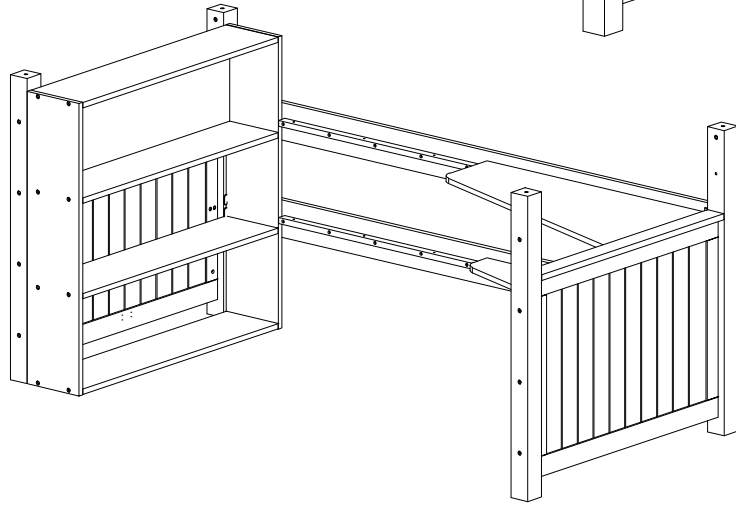
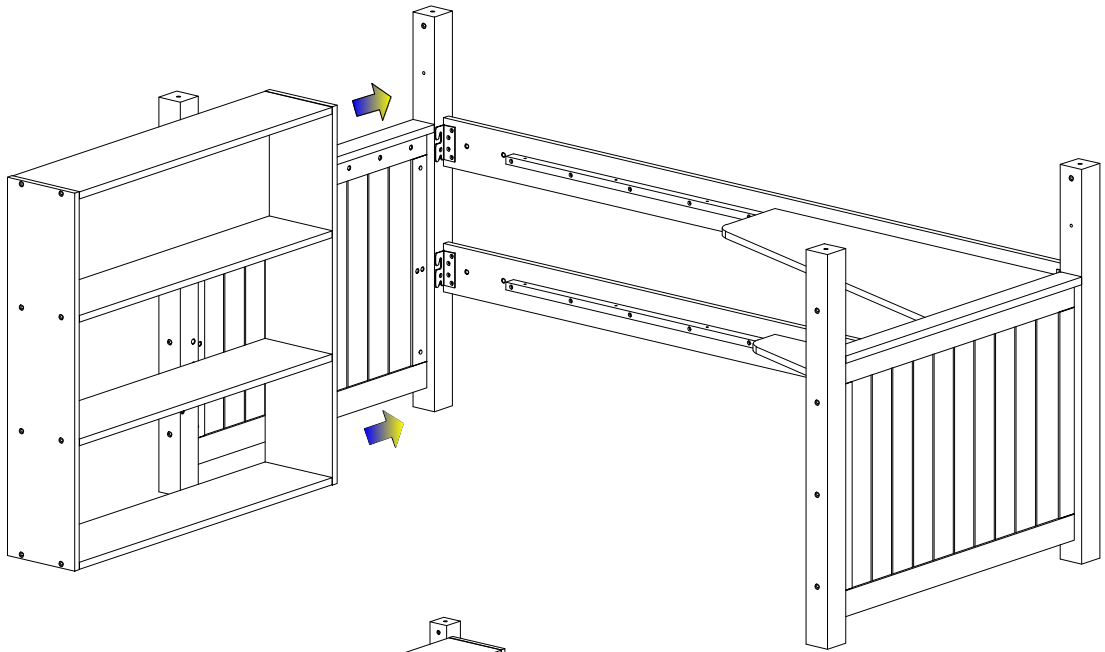
step 4



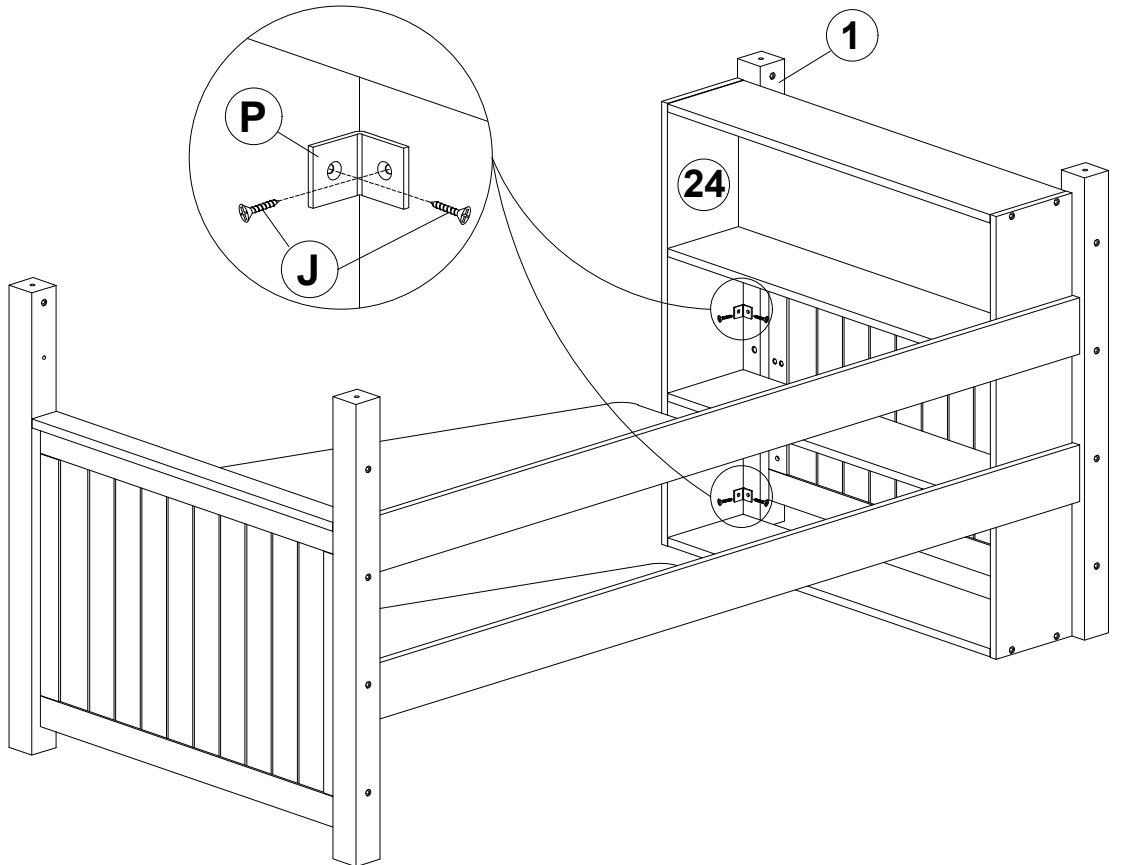
step 5



step
6

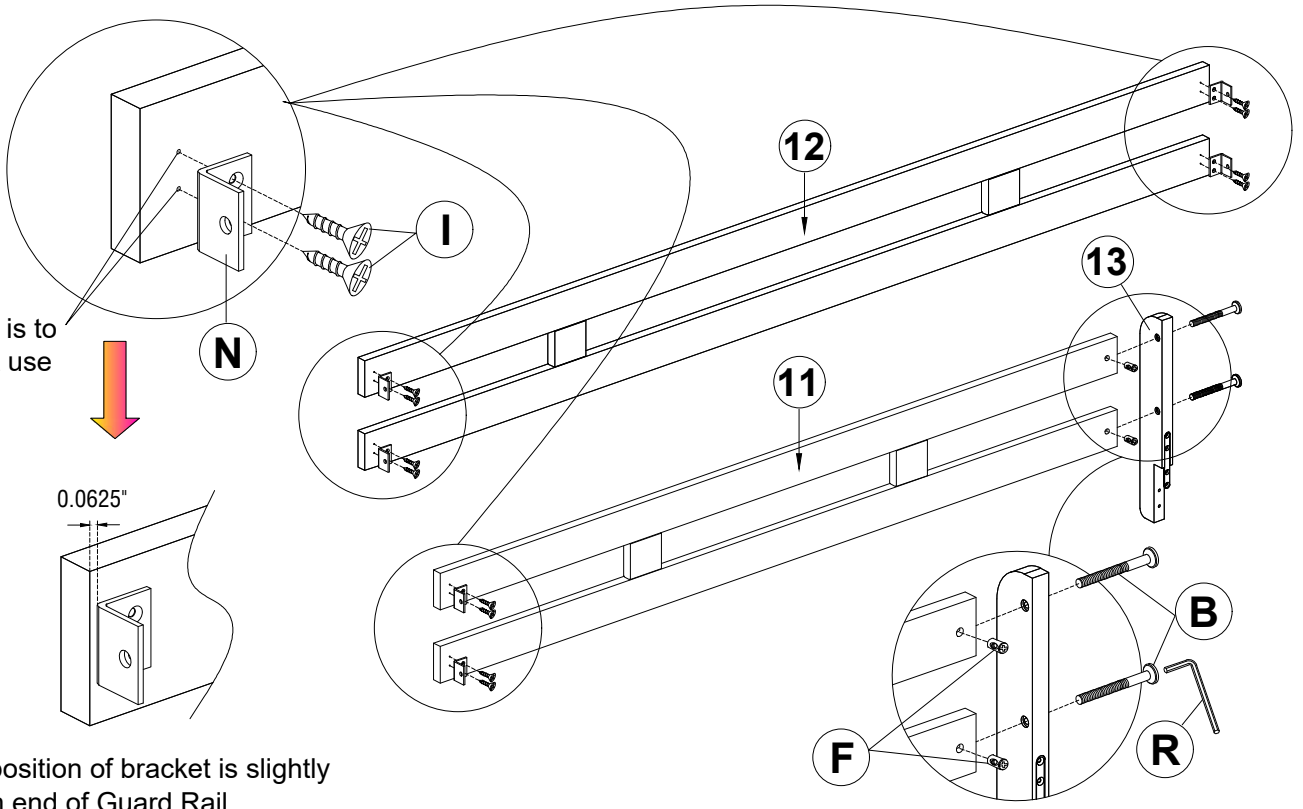


step
7



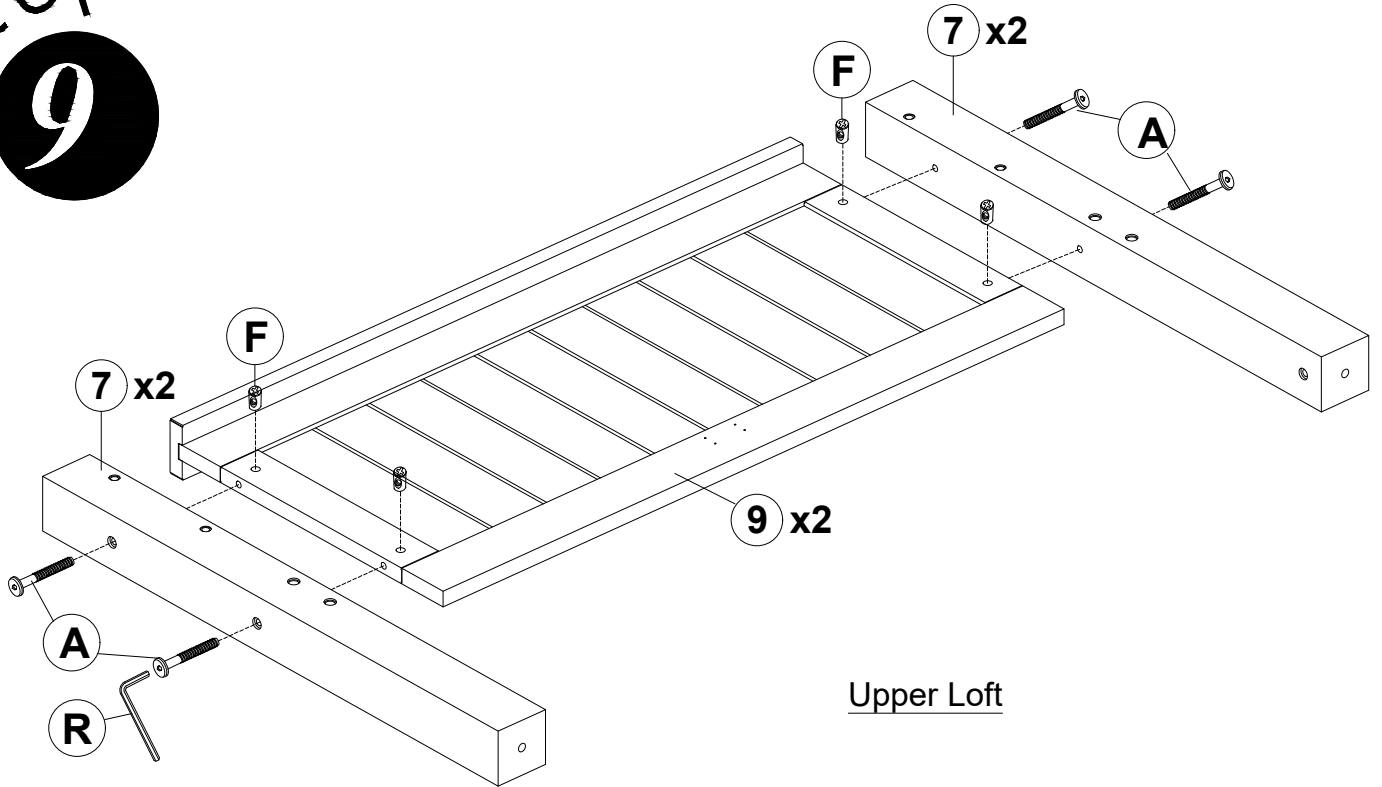
step 8

This two pre hole is to screw L Bracket use



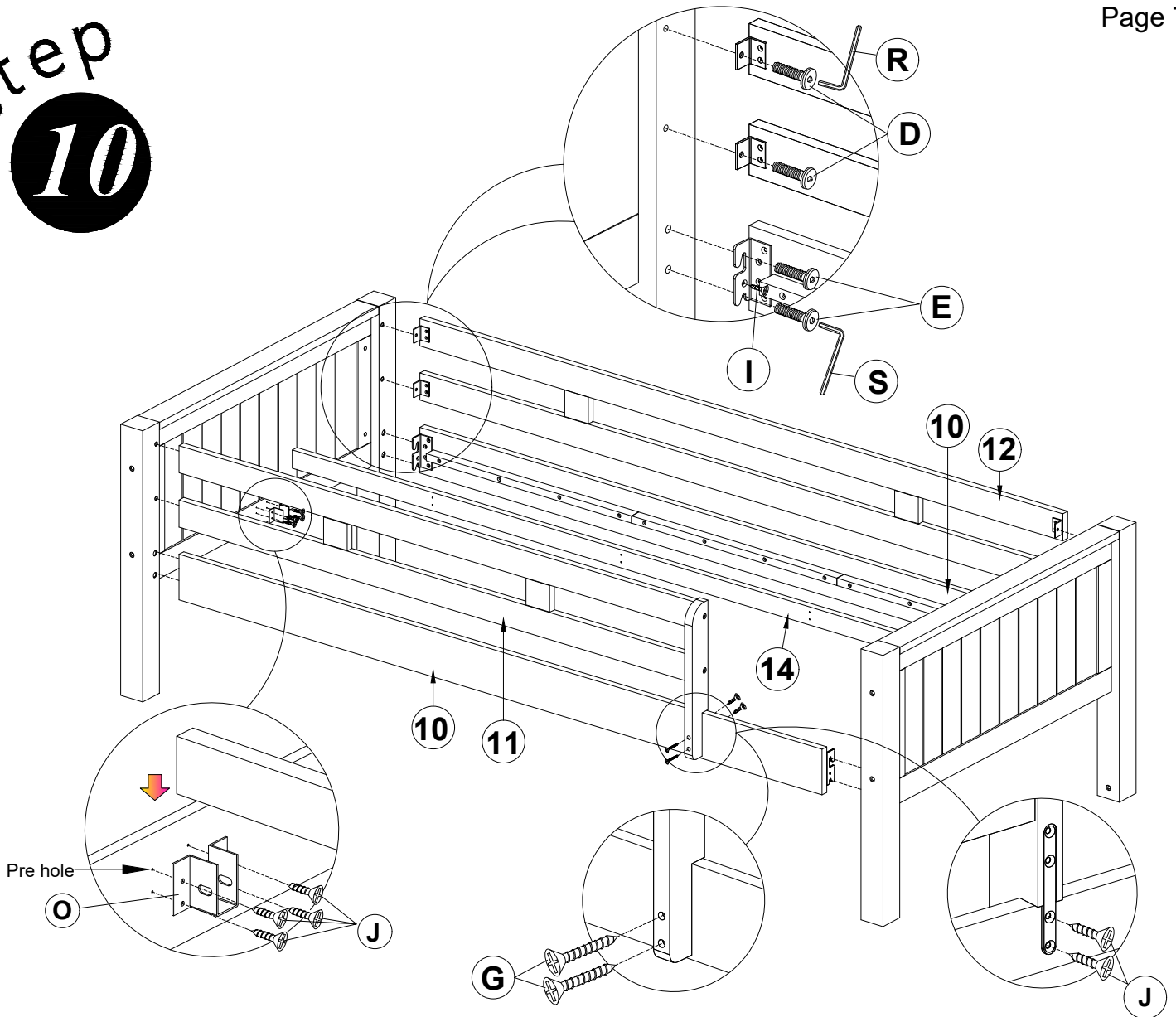
The right position of bracket is slightly inside from end of Guard Rail

step 9

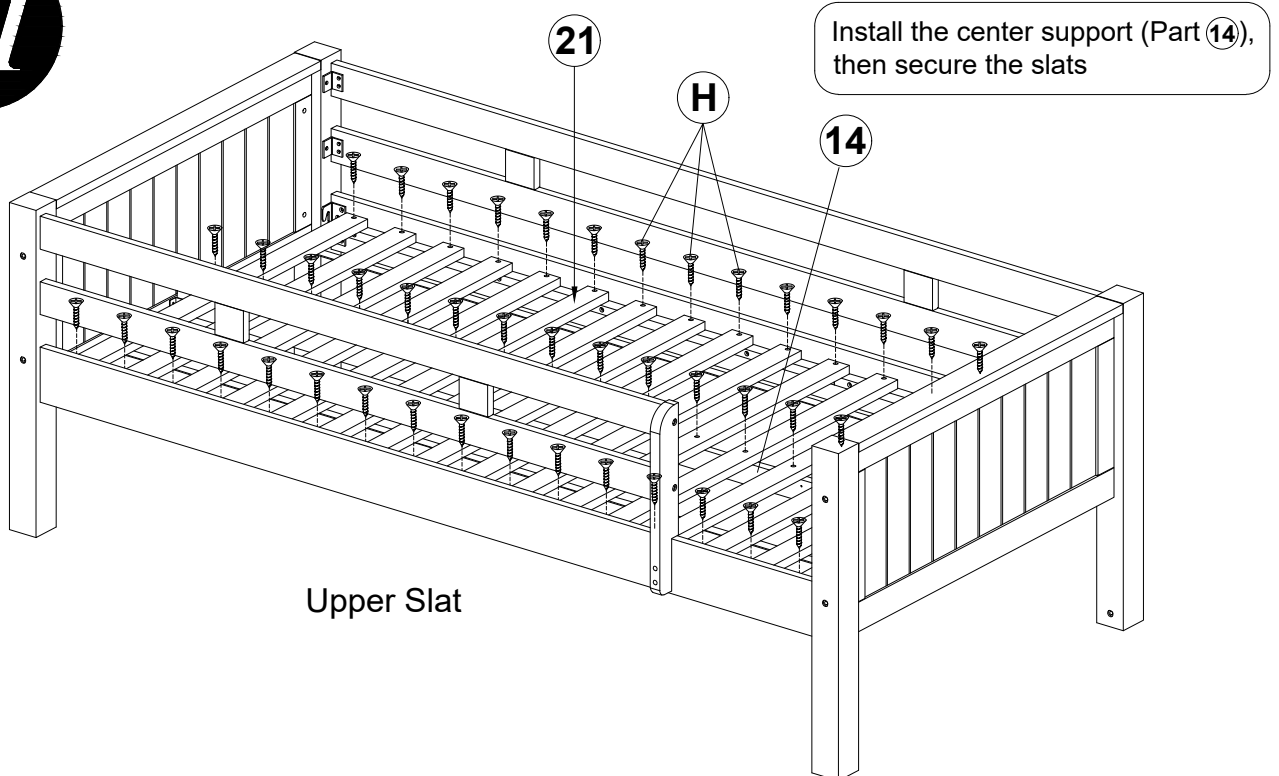


Upper Loft

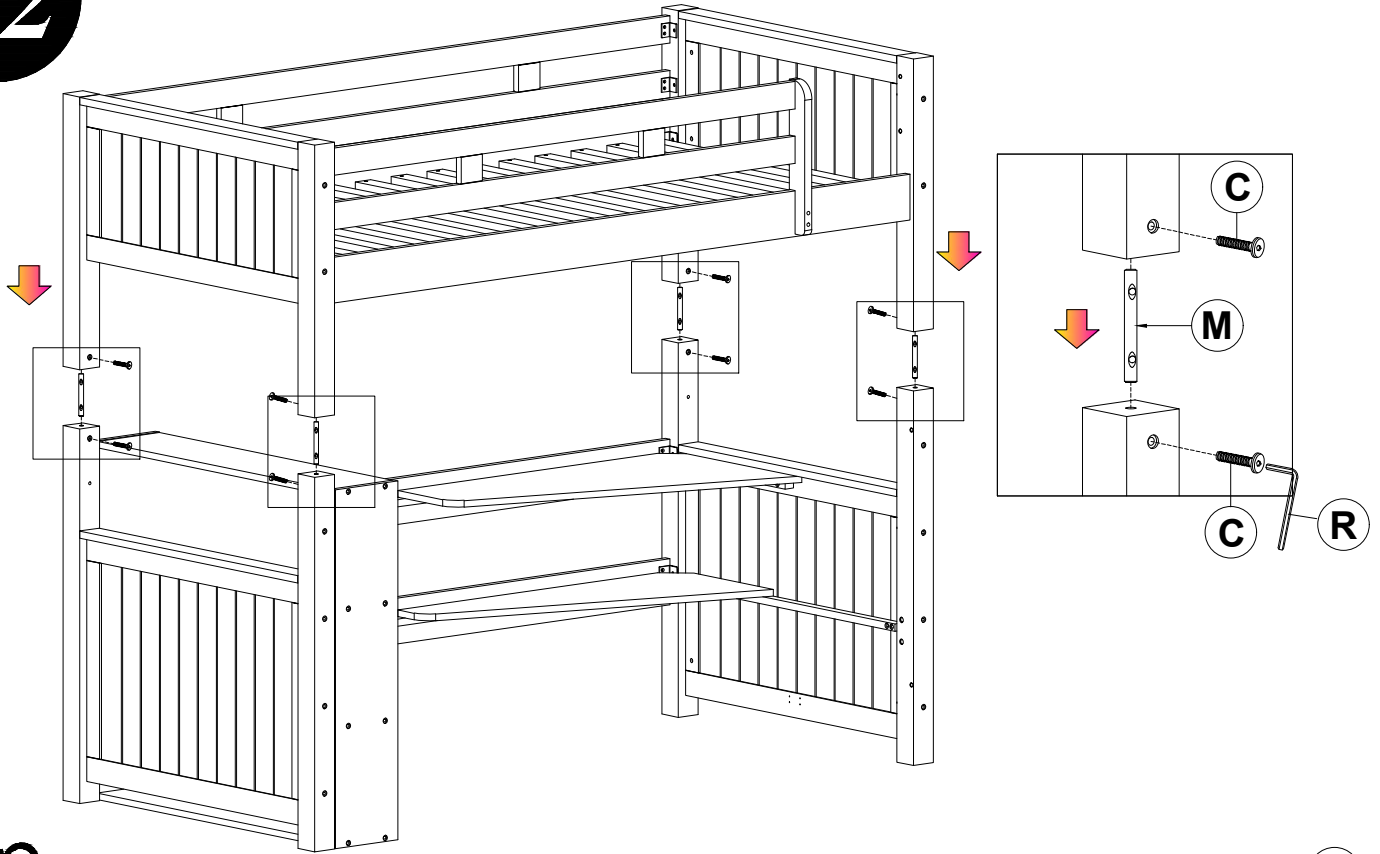
step 10



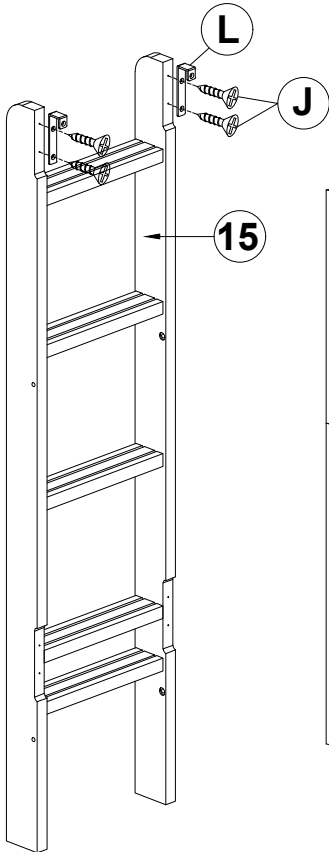
step 11



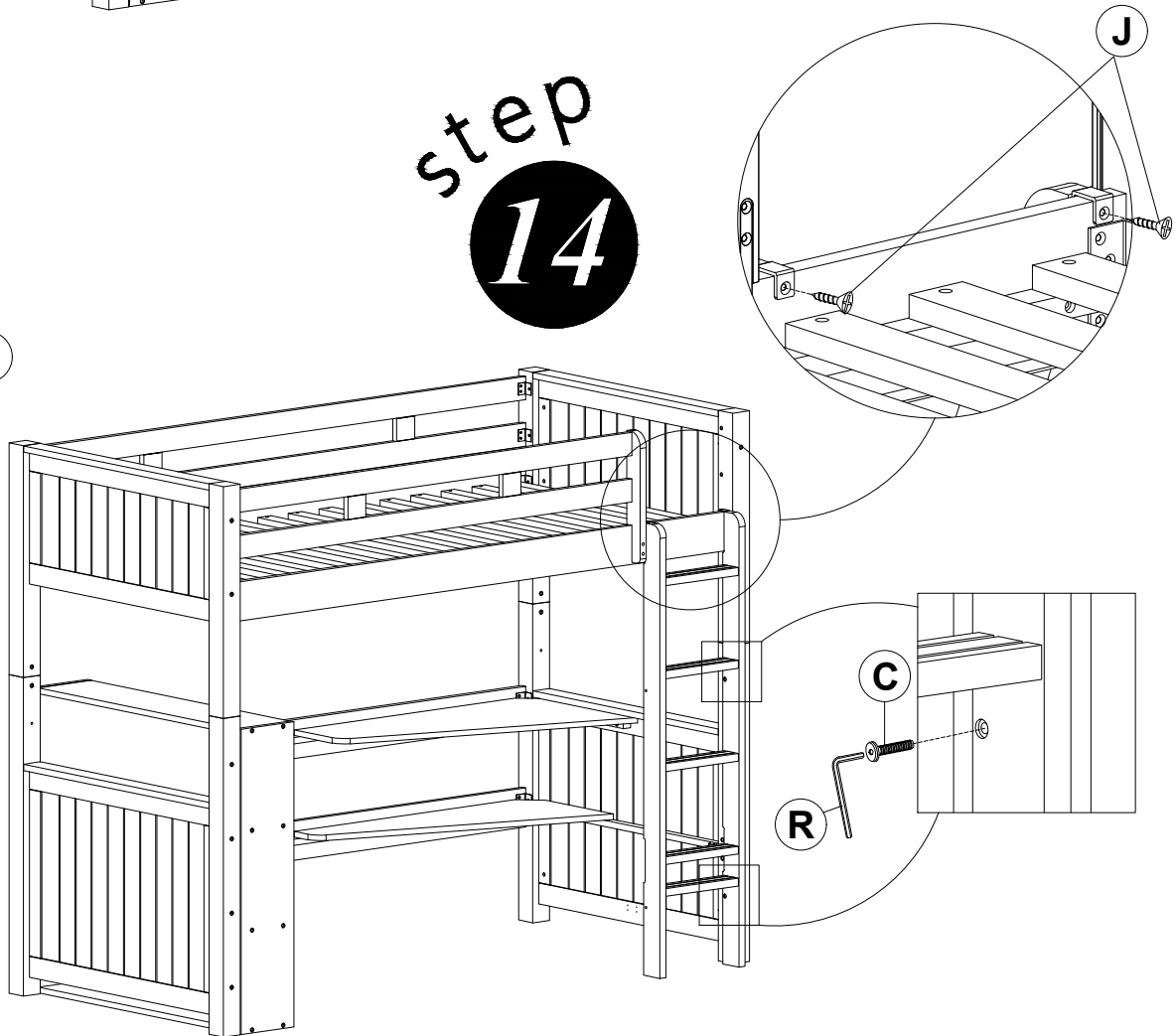
step 12



step 13



step 14

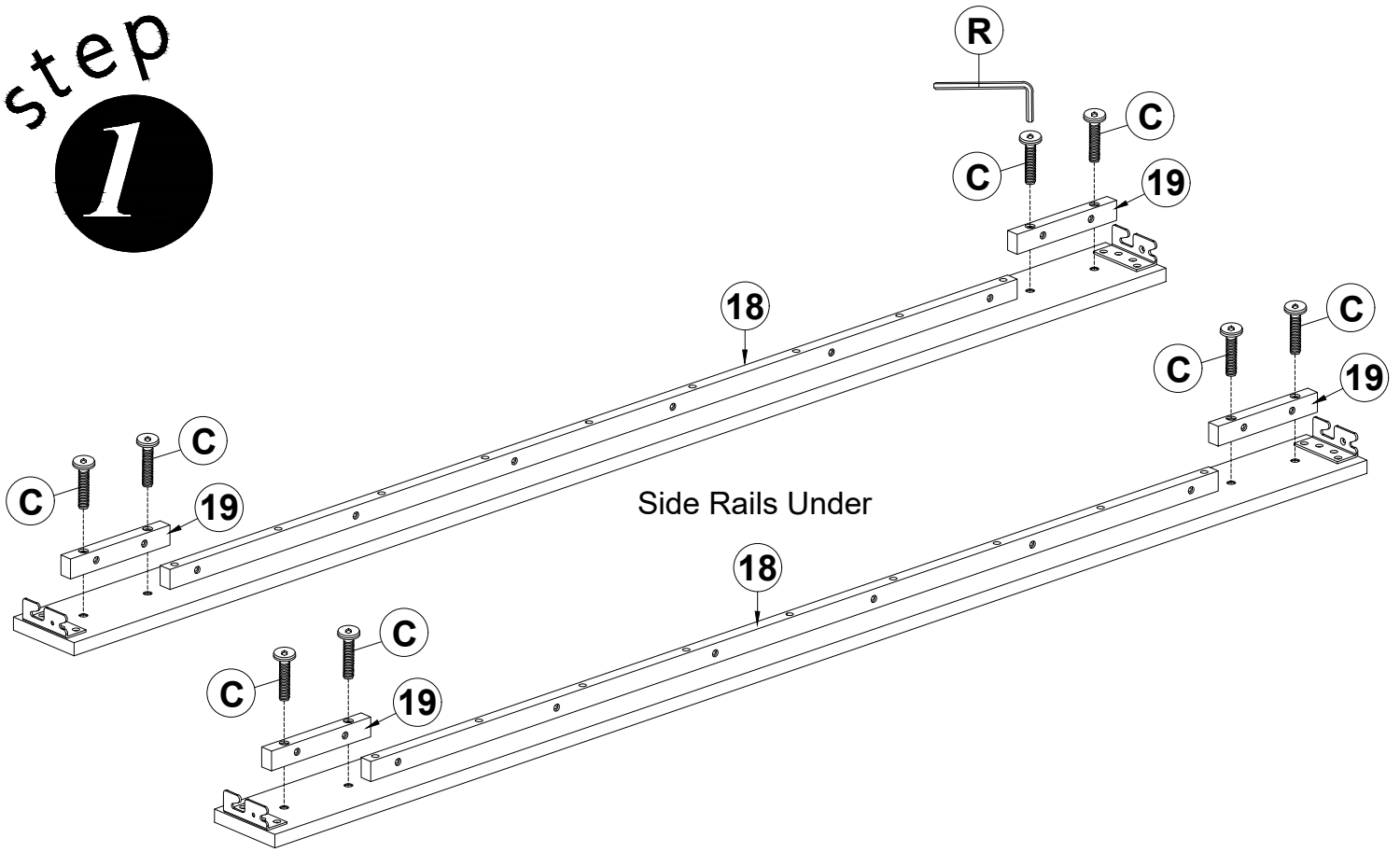


0166

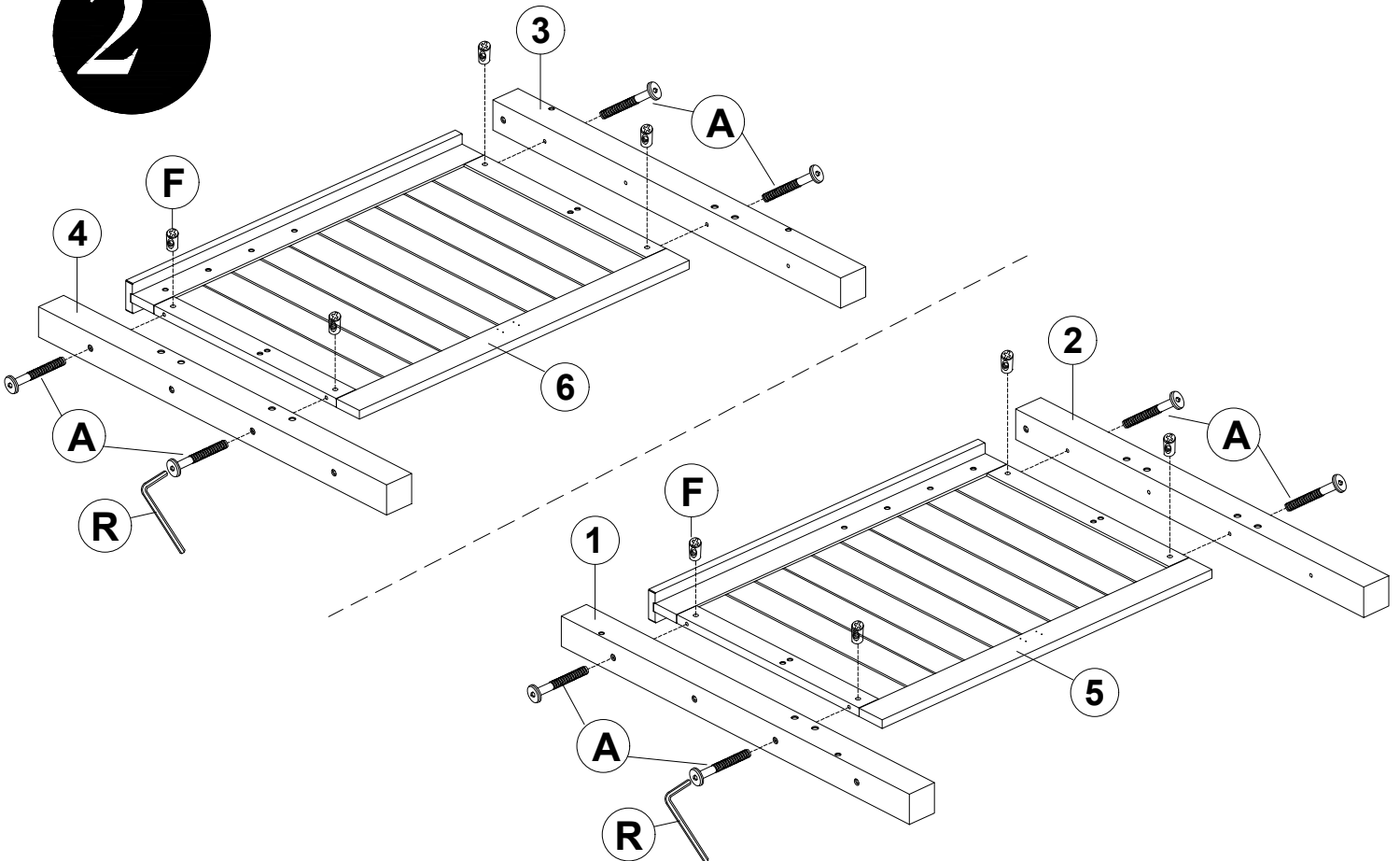
TWIN TWIN CONVERTIBLE BUNK BED



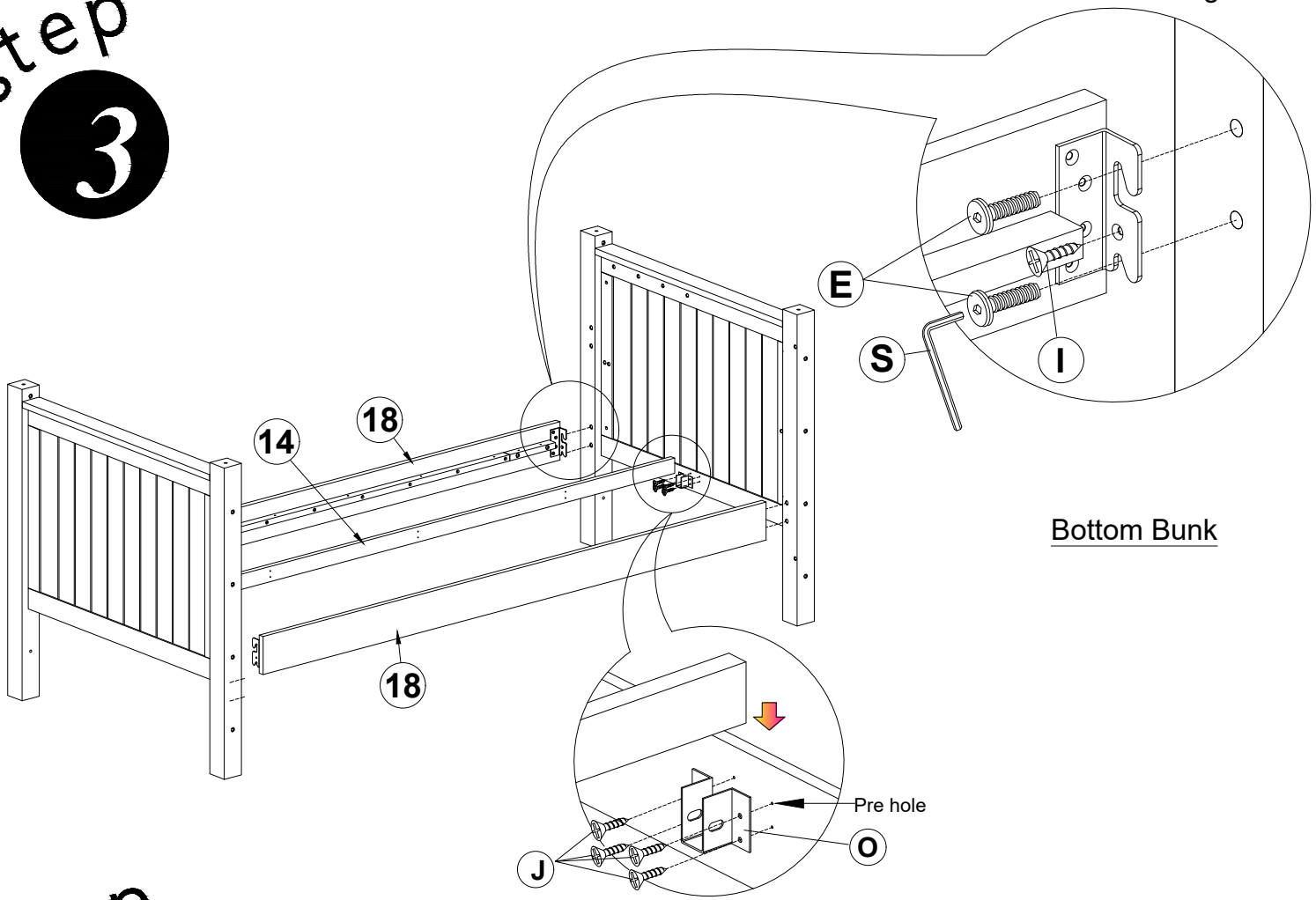
step 1



step 2



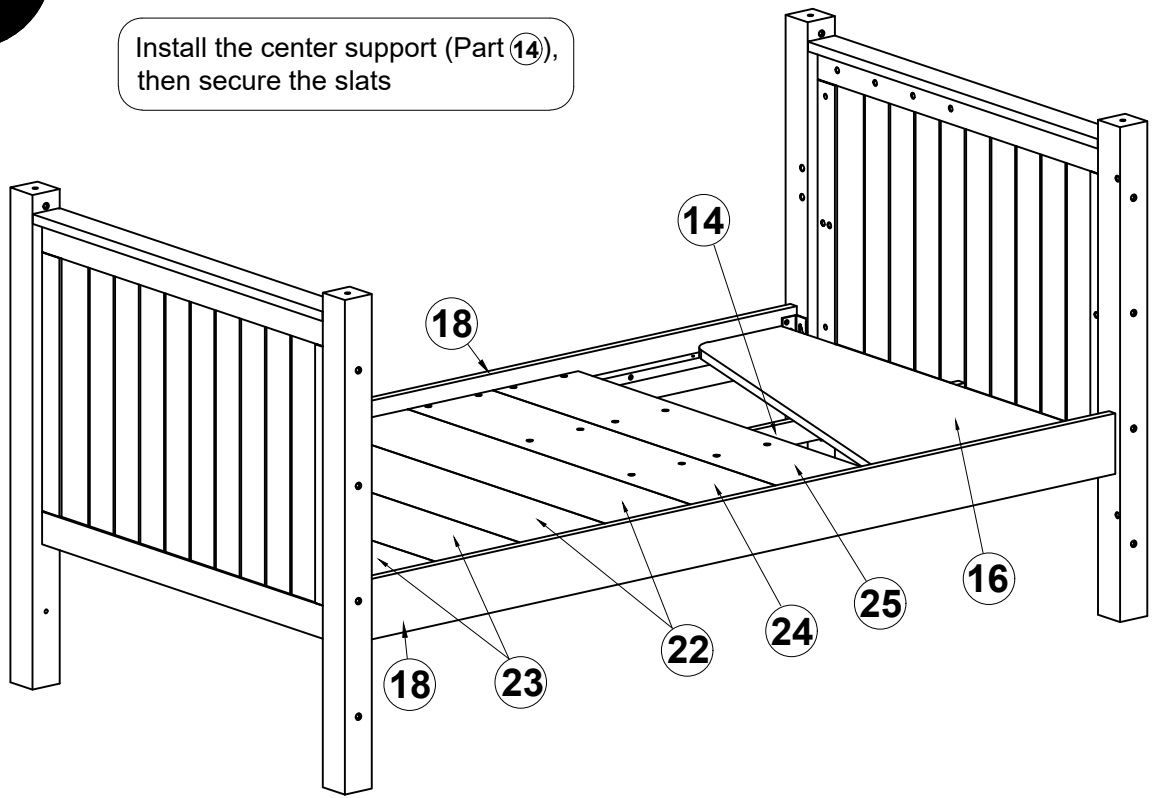
step 3



Bottom Bunk

step 4

Install the center support (Part 14), then secure the slats

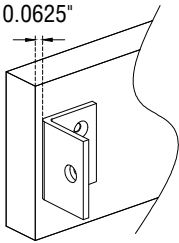


step 5

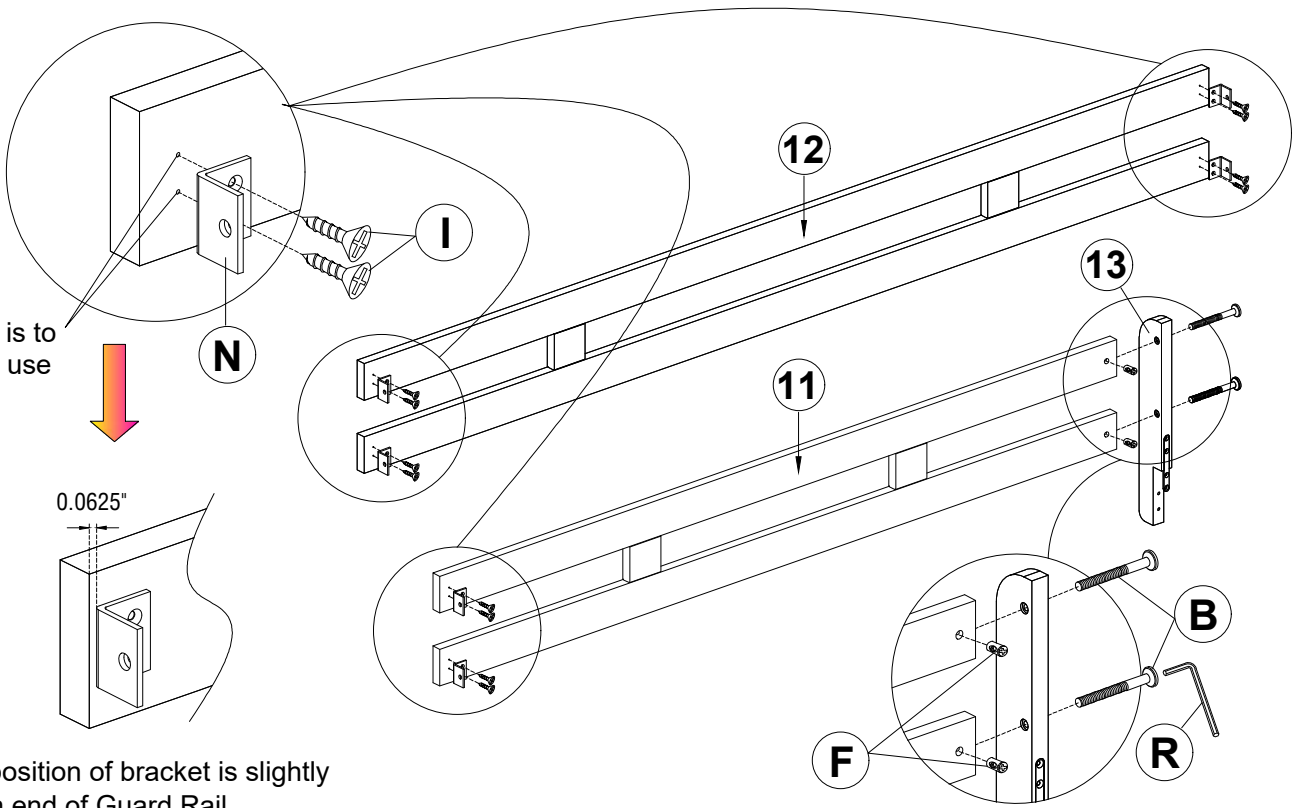
This two pre hole is to screw L Bracket use



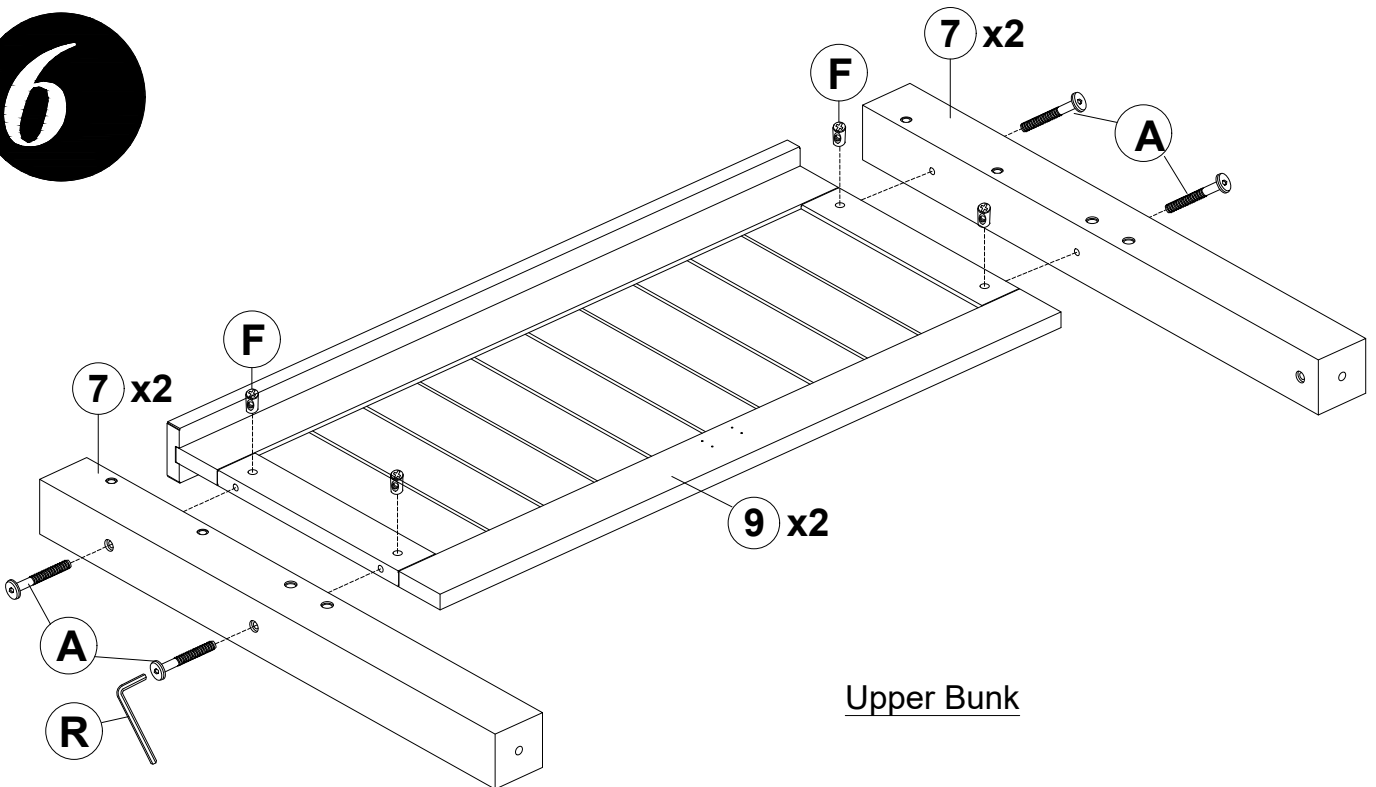
0.0625"



The right position of bracket is slightly inside from end of Guard Rail

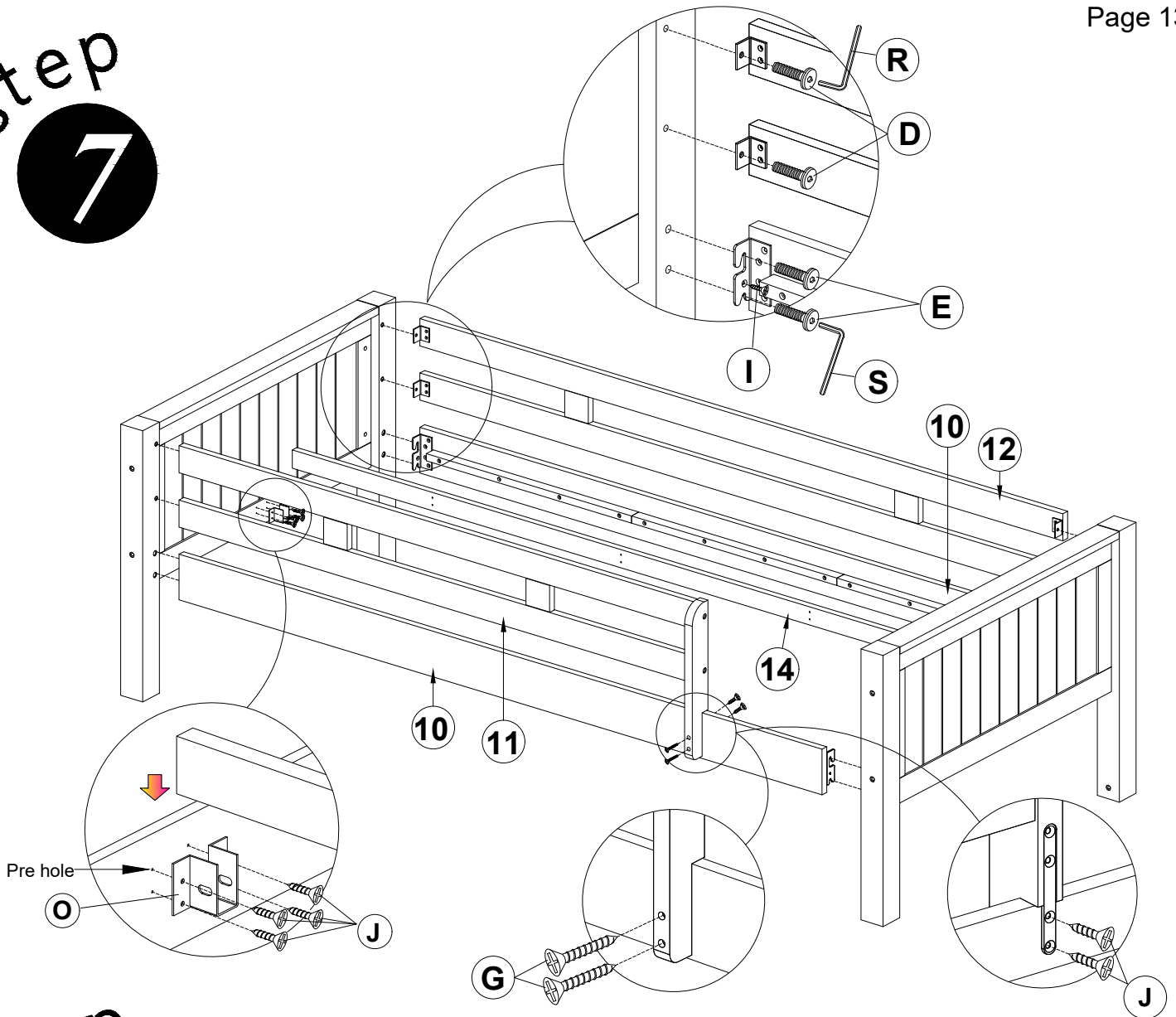


step 6

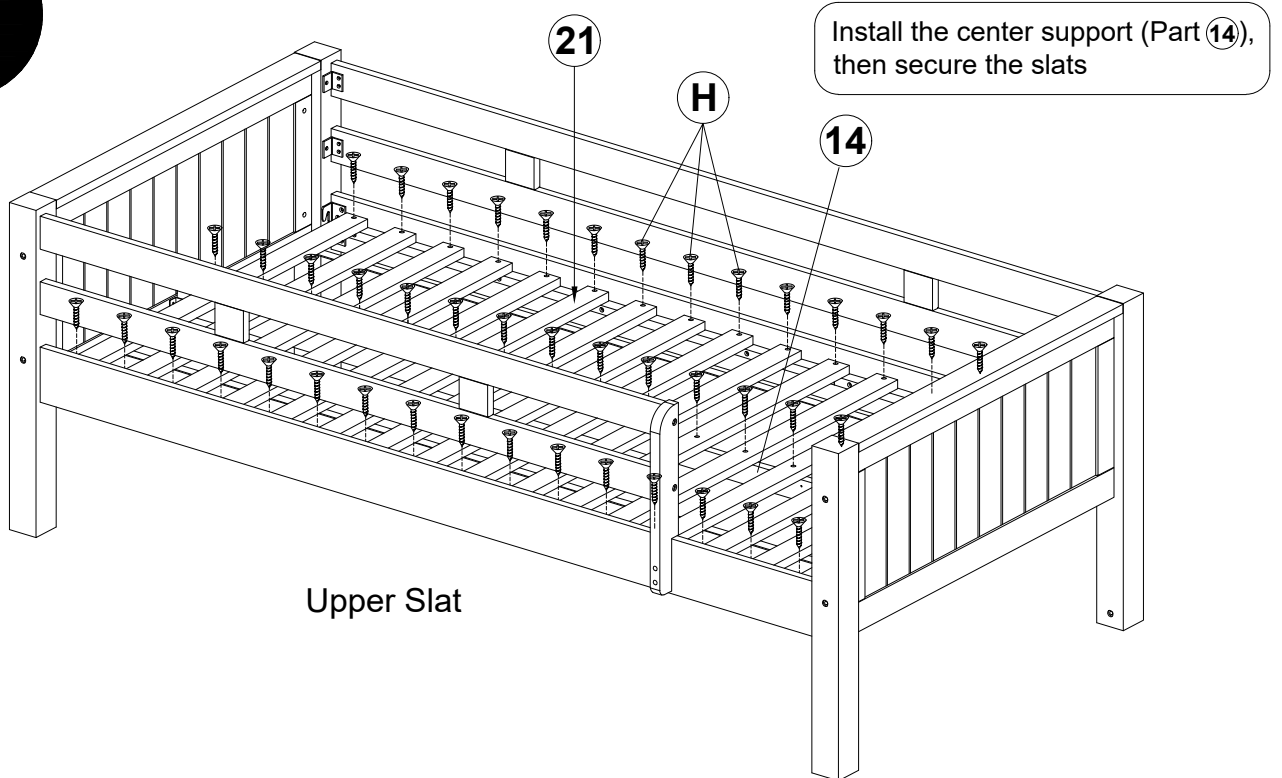


Upper Bunk

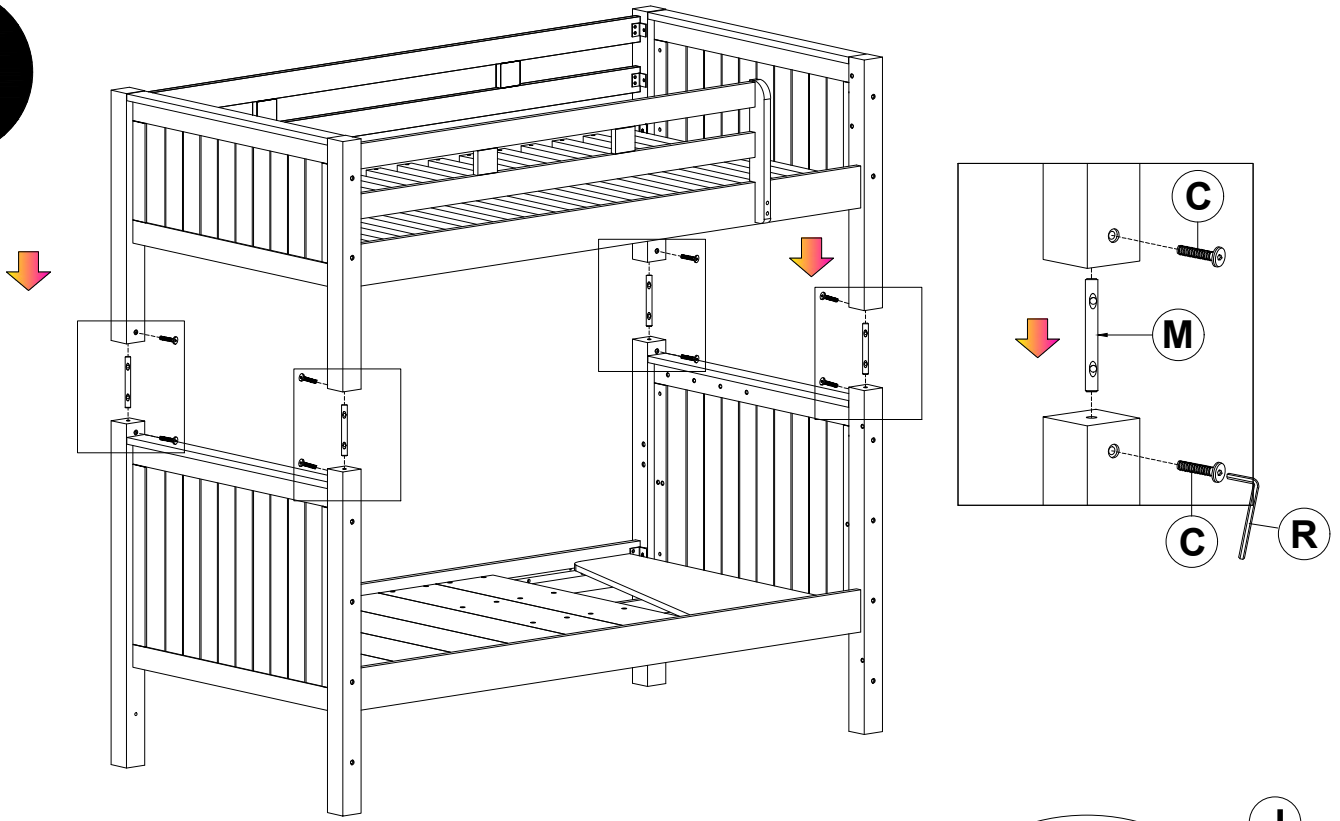
step 7



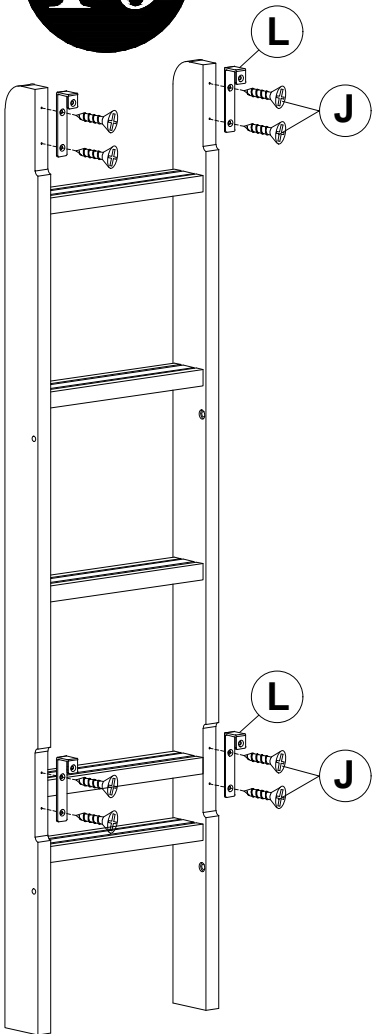
step 8



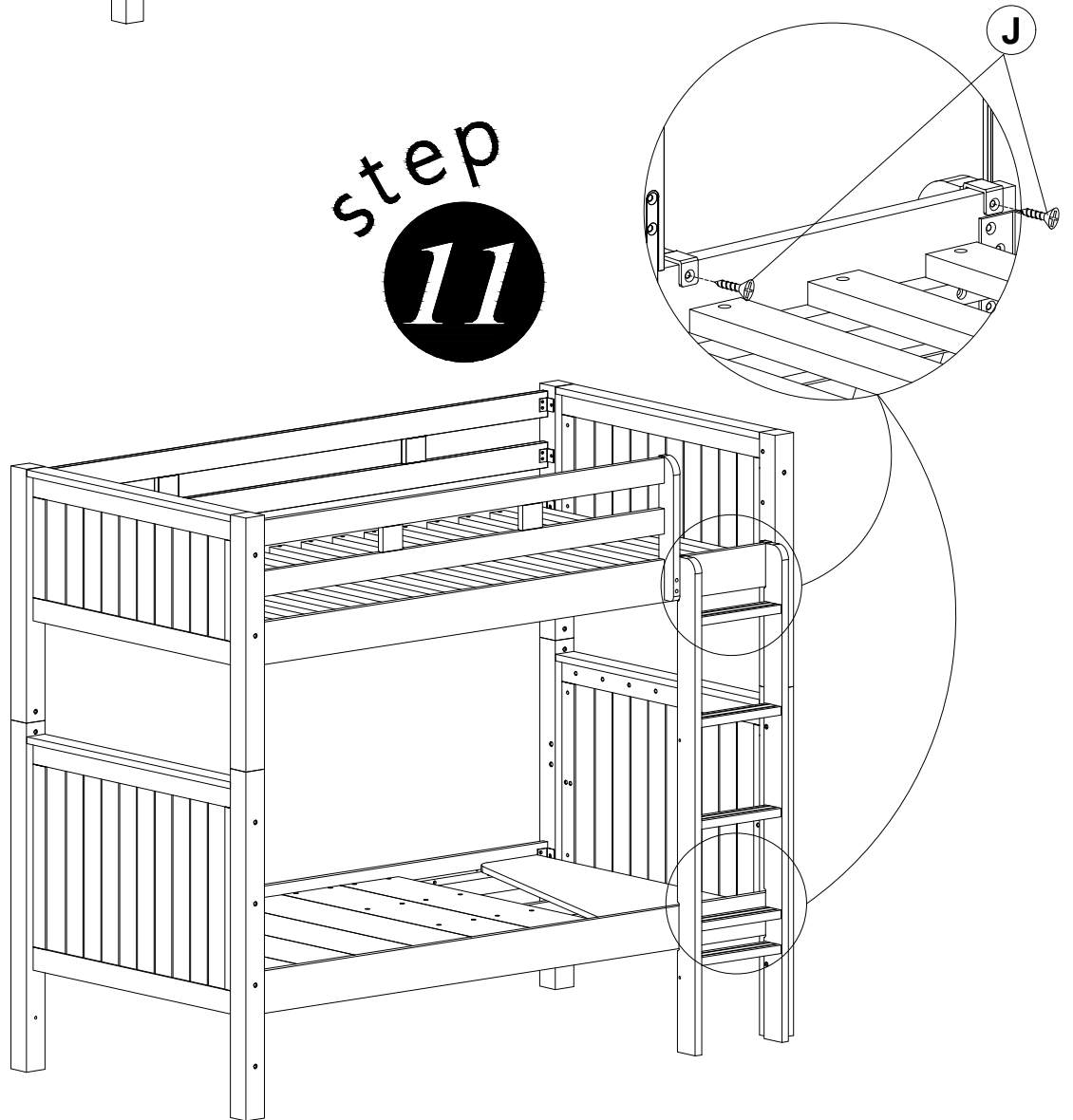
step 9



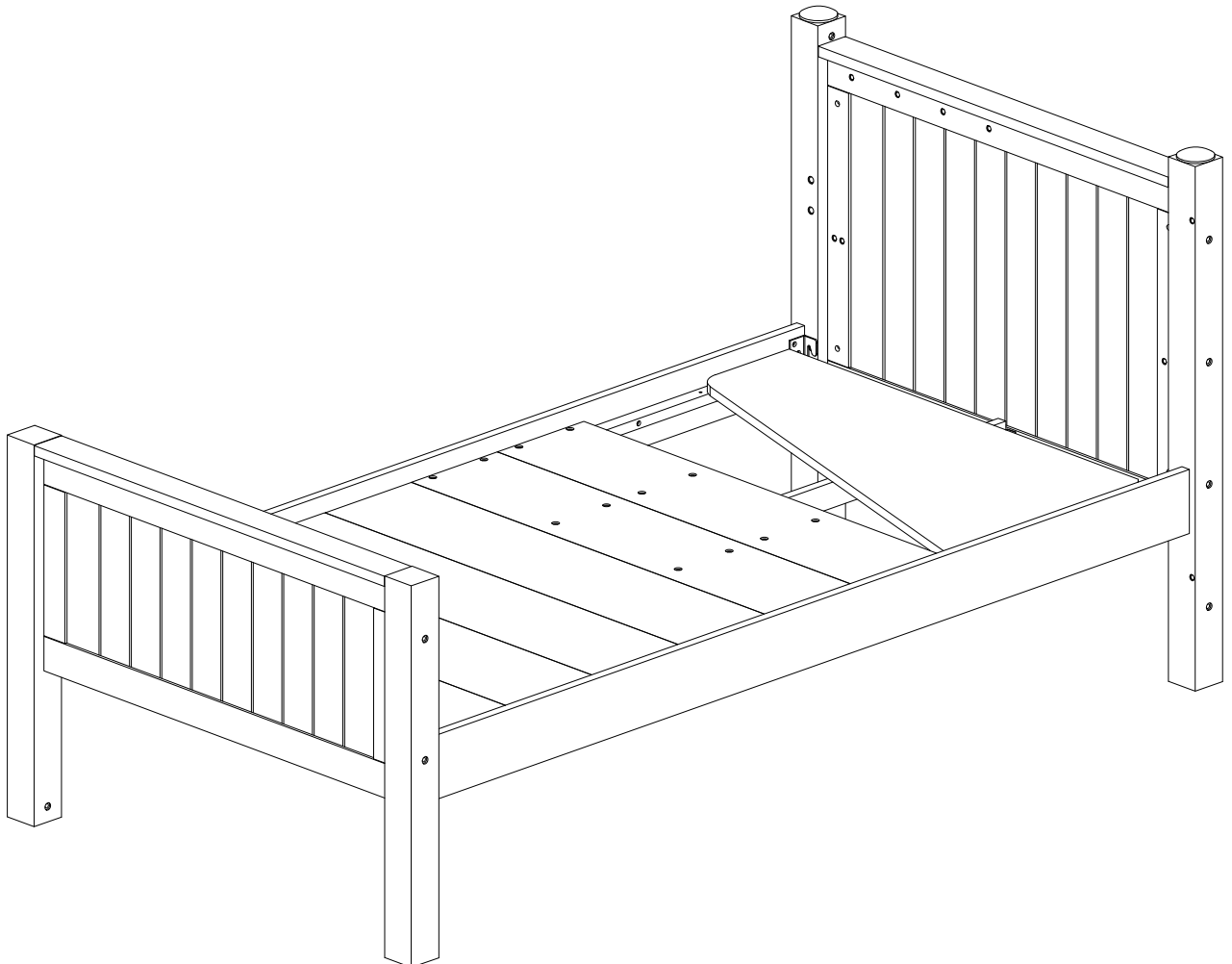
step 10



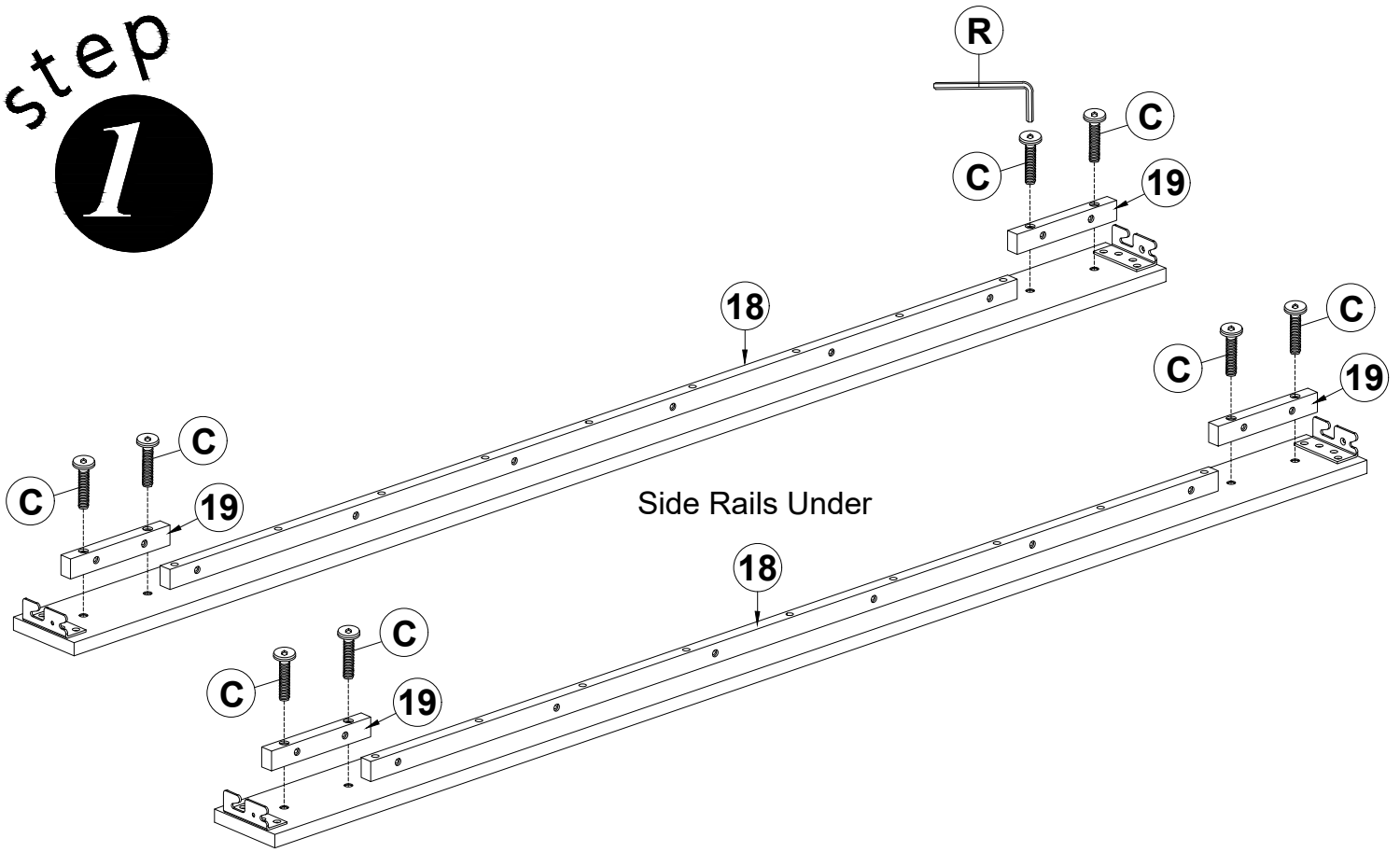
step 11



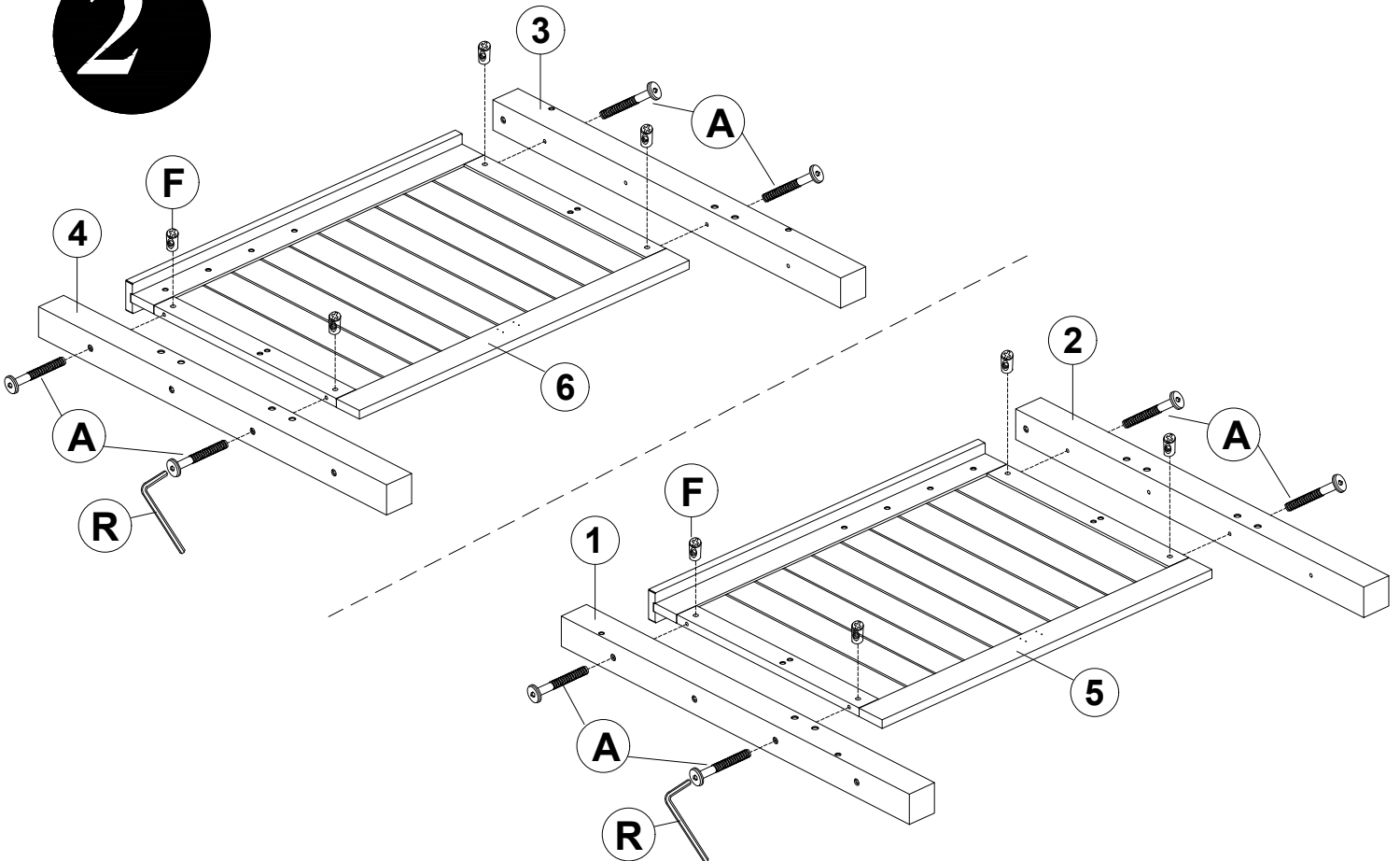
0166 CONVERTIBLE SINGLE BED



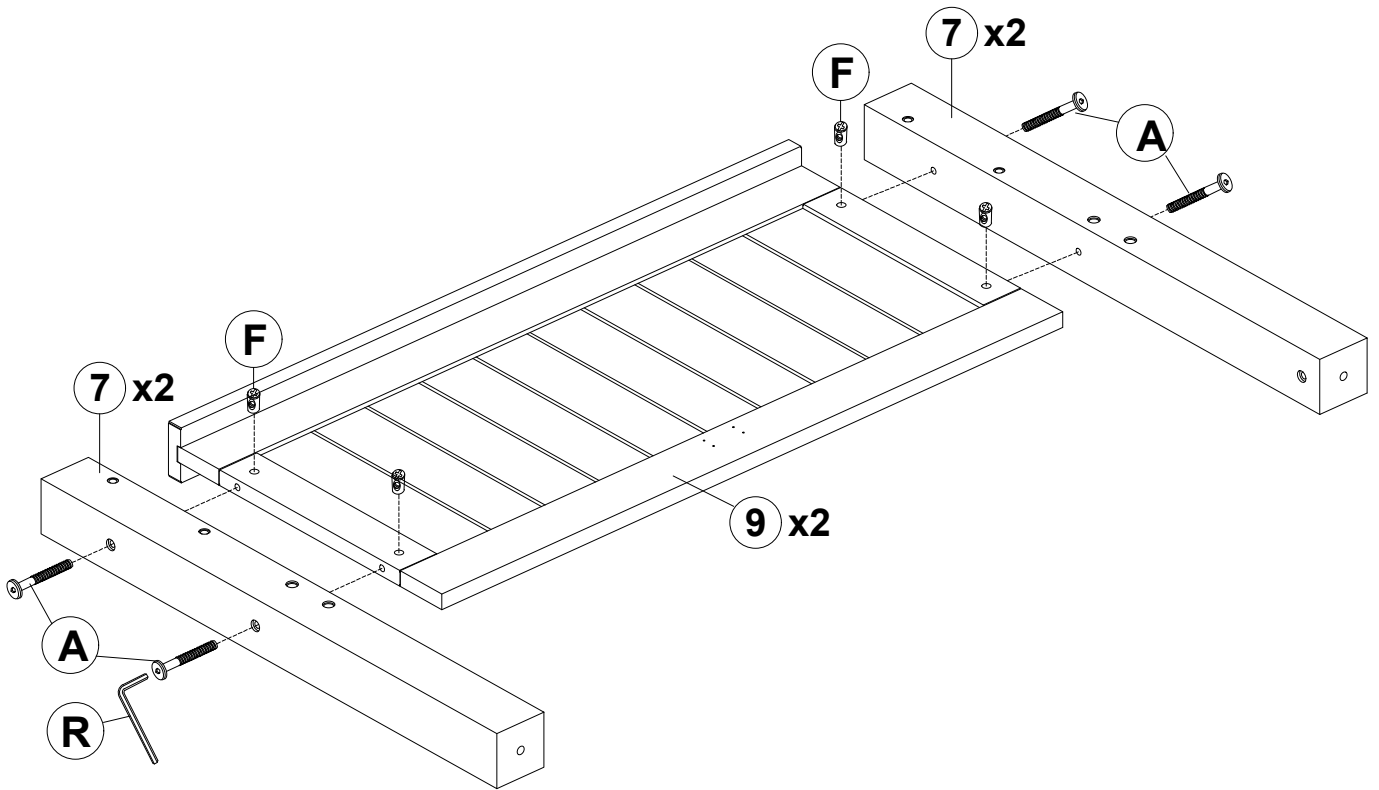
step 1



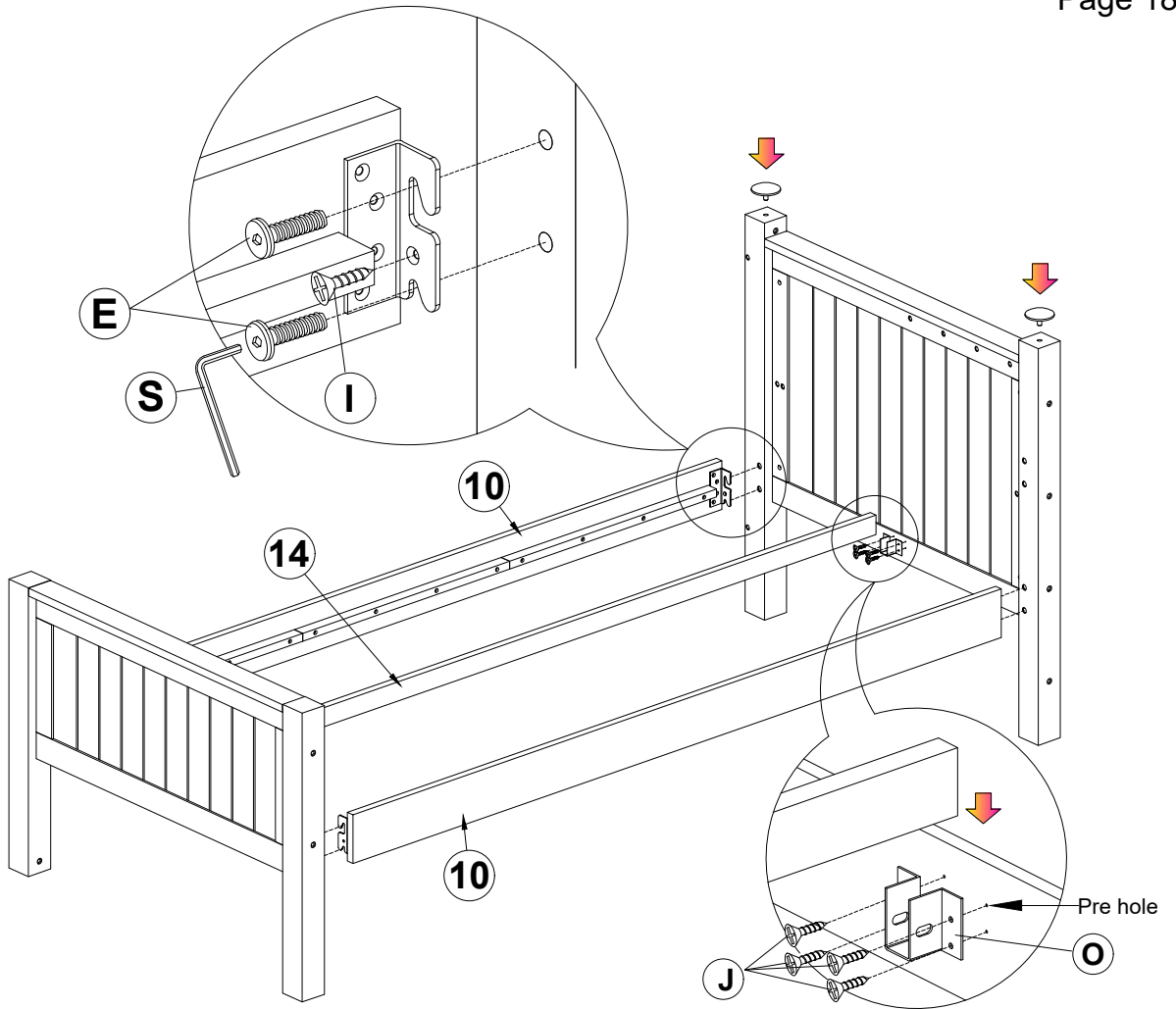
step 2



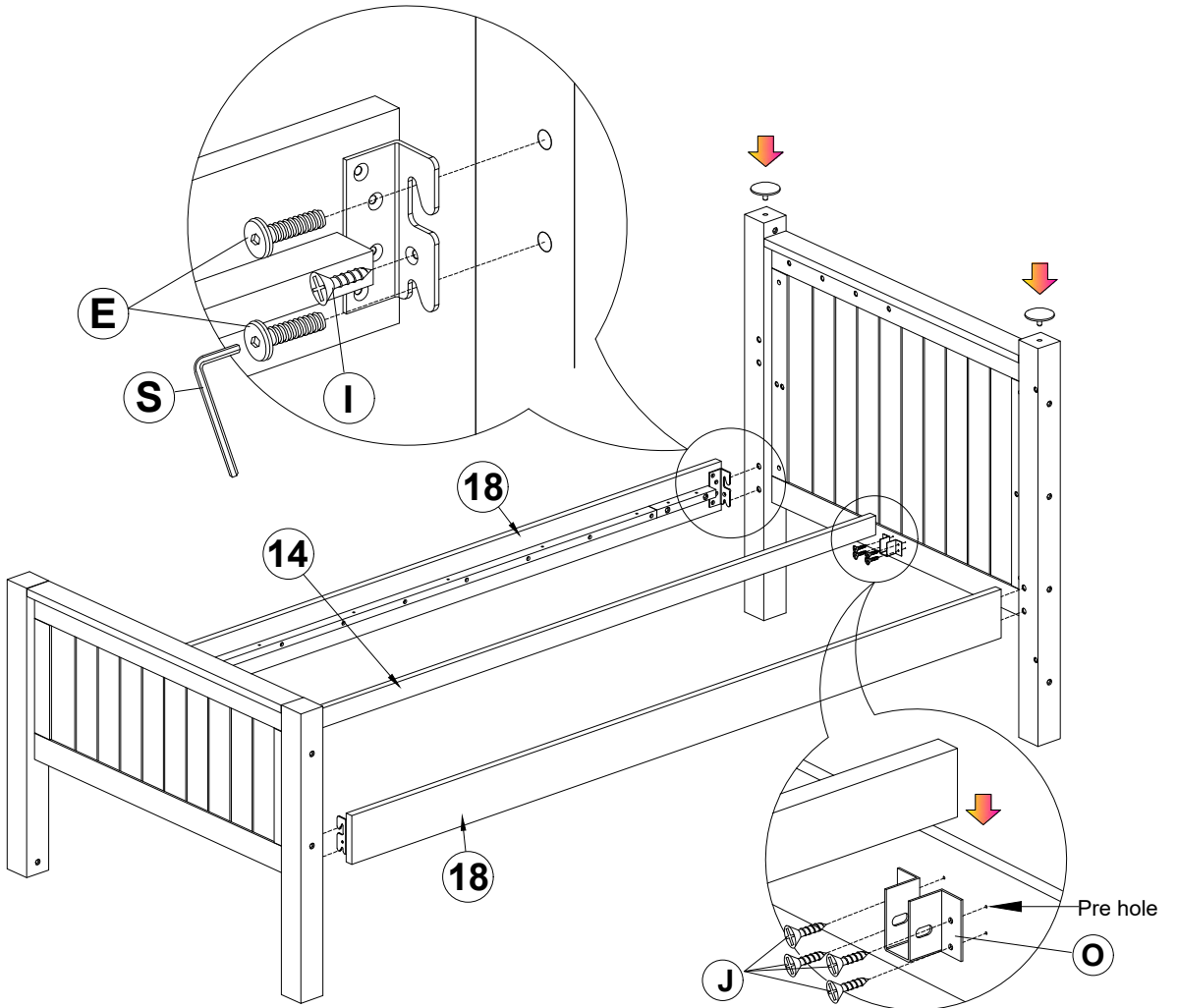
step
3



step
4

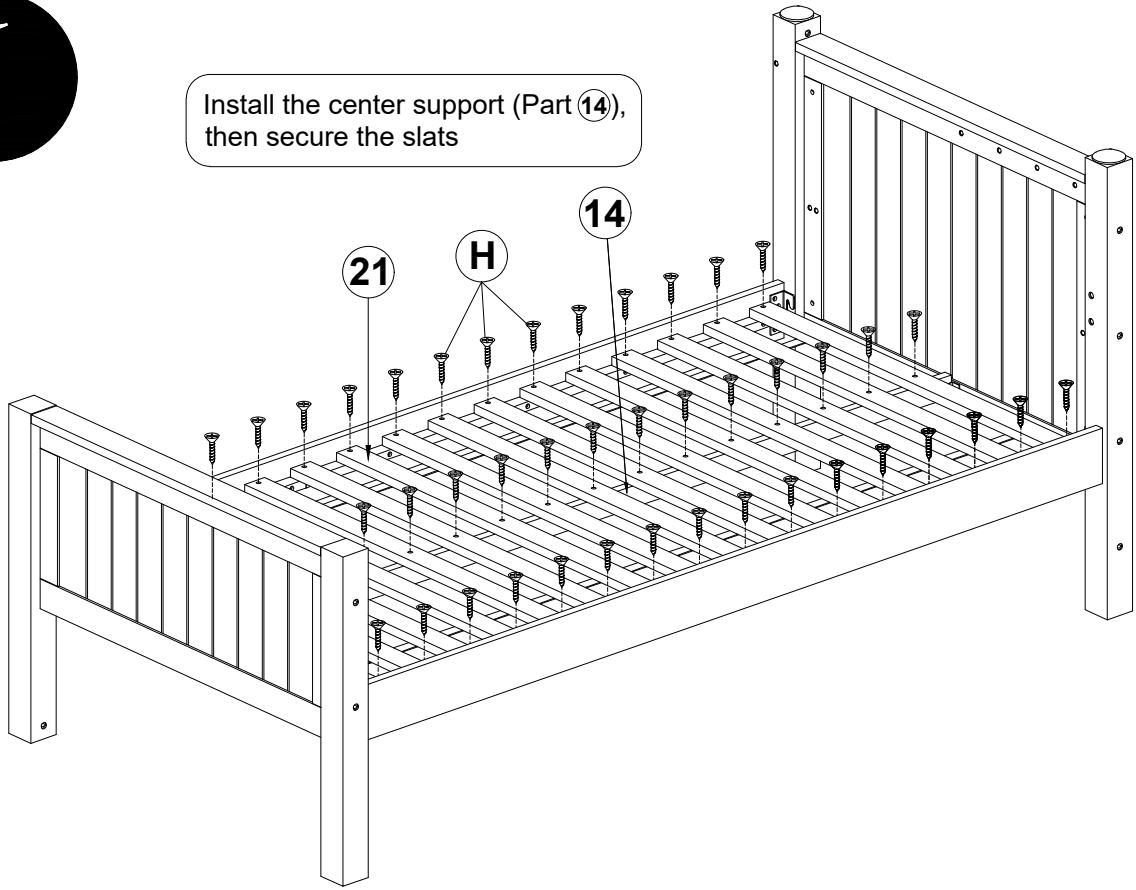


step
5



step
6

Install the center support (Part 14),
then secure the slats



step
7

Install the center support (Part 14),
then secure the slats

